

# Daniel™ 3814 Liquid Ultrasonic Flow Meter





### Flow Lifecycle Services for Daniel products

Location	Telephone number	Fax number
North America/Latin America	+1.713.467.6000	+1.713.827.4805
Flow Lifecycle Services for Daniel products	+1.713.827.6314	+1.713.827.6312
USA (toll free)	+1.888.356.9001	+1.713.827.3380
Asia Pacific (Republic of Singapore)	+65.6777.8211	+65.6777.0947.0743
Europe (Stirling Scotland, UK)	+44 (0)1786.433400	+44 (0)1786.433401
Middle East Africa (Dubai, UAE)	+971 4 8118100	+971 4 8865465
Daniel Measurement and Control, Inc. (Headquarters) 11100 Brittmoore Park Drive Houston, TX 77041 USA <a href="http://www.emerson.com">http://www.emerson.com</a>		

#### Email

- Customer Service: [DanielCST.Support@Emerson.com](mailto:DanielCST.Support@Emerson.com)
- Customer Support: [Daniel.TechnicalSupport@Emerson.com](mailto:Daniel.TechnicalSupport@Emerson.com)
- Field Lifecycle Services: [Tech.Service@Emerson.com](mailto:Tech.Service@Emerson.com)
- Asia-Pacific: [danielap.support@emerson.com](mailto:danielap.support@emerson.com)
- Europe: [danielEMA.cst@emerson.com](mailto:danielEMA.cst@emerson.com)

#### Return Material Authorization (RMA)

A Return Material Authorization (RMA) number must be obtained prior to returning any equipment for any reason. Access and fill in the RMA form for Daniel products clicking on the link below.

<http://go.emersonprocess.com/RMAOnlineForm>

## Signal words and symbols

Pay special attention to the following signal words, safety alert symbols and statements:



Safety alert symbol

This is a safety alert symbol. It is used to alert you to potential physical injury hazards. Obey all safety messages that follow this symbol to avoid possible injury or death.



### **DANGER**

Danger indicates a hazardous situation which, if not avoided, will result in death or serious injury.



### **WARNING**

Warning indicates a hazardous situation which, if not avoided, could result in death or serious injury.



### **CAUTION**

Caution indicates a hazardous situation which, if not avoided, could result in minor or moderate injury.

---

### **NOTICE**

Notice is used to address safety messages or practices not related to personal injury.

---

### **Important**

Important is a statement the user needs to know and consider.

---

### **Tip**

Tip provides information or suggestions for improved efficiency or best results.

---

### **Note**

Note is “general by-the-way” content not essential to the main flow of information.

---



## Important safety instructions

Daniel Measurement and Control, Inc. (Daniel) designs, manufactures and tests products to function within specific conditions. Because these products are sophisticated technical instruments, it is important that the owner and operation personnel must strictly adhere both to the information printed on the product and to all instructions provided in this manual prior to installation, operation, and maintenance.

Daniel also urges you to integrate this manual into your training and safety program.

BE SURE ALL PERSONNEL READ AND FOLLOW THE INSTRUCTIONS IN THIS MANUAL AND ALL NOTICES AND PRODUCT WARNINGS.

### **WARNING**

Failure to follow the installation, operation or maintenance instructions for a Daniel product could lead to serious injury or death from explosion or exposure to dangerous substances.

To reduce the risk:

- Comply with all information on the product, in this manual, and in any local and national codes that apply to this product.
- Do not allow untrained personnel to work with this product.
- Use Daniel parts and work procedures specified in this manual.

### **Product owners (Purchasers):**

- Use the correct product for the environment and pressures present. See technical data or product specifications for limitations. If you are unsure, discuss your needs with your Daniel representative.
- Inform and train all personnel in the proper installation, operation, and maintenance of this product.
- To ensure safe and proper performance, only informed and trained personnel should install, operate, repair and maintain this product.
- Verify that this is the correct instruction manual for your Daniel product. If this is not the correct documentation, contact Daniel at 1-713-827-6314. You may also download the correct manual from: <https://www.emerson.com/en-us/automation/daniel>.
- Save this instruction manual for future reference.
- If you resell or transfer this product, it is your responsibility to forward this instruction manual along with the product to the new owner or transferee.
- ALWAYS READ AND FOLLOW THE INSTALLATION, OPERATIONS, MAINTENANCE AND TROUBLESHOOTING MANUAL(S) AND ALL PRODUCT WARNINGS AND INSTRUCTIONS.
- Do not use this equipment for any purpose other than its intended service. This may result in property damage and/or serious personal injury or death.

**Product operation (Personnel):**

- To prevent personal injury, personnel must follow all instructions of this manual prior to and during operation of the product.
- Follow all warnings, cautions, and notices marked on, and supplied with, this product.
- Verify that this is the correct instruction manual for your Daniel product. If this is not the correct documentation, contact Daniel at 1-713-827-6314. You may also download the correct manual from: <https://www.emerson.com/en-us/automation/daniel>.
- Read and understand all instructions and operating procedures for this product.
- If you do not understand an instruction, or do not feel comfortable following the instructions, contact your Daniel representative for clarification or assistance.
- Install this product as specified in the INSTALLATION section of this manual per applicable local and national codes.
- Follow all instructions during the installation, operation, and maintenance of this product.
- Ensure that all connections to pressure and electrical sources are secure prior to and during equipment operation.
- Use only replacement parts specified by Daniel. Unauthorized parts and procedures can affect this product's performance, safety, and invalidate the warranty. "Look-a-like" substitutions may result in deadly fire, explosion, release of toxic substances or improper operation.
- Save this instruction manual for future reference.

## Notice

THE CONTENTS OF THIS PUBLICATION ARE PRESENTED FOR INFORMATIONAL PURPOSES ONLY, AND WHILE EVERY EFFORT HAS BEEN MADE TO ENSURE THEIR ACCURACY, THEY ARE NOT TO BE CONSTRUED AS WARRANTIES OR GUARANTEES, EXPRESSED OR IMPLIED, REGARDING THE PRODUCTS OR SERVICES DESCRIBED HEREIN OR THEIR USE OR APPLICABILITY. ALL SALES ARE GOVERNED BY DANIEL'S TERMS AND CONDITIONS, WHICH ARE AVAILABLE UPON REQUEST. WE RESERVE THE RIGHT TO MODIFY OR IMPROVE THE DESIGNS OR SPECIFICATIONS OF SUCH PRODUCTS AT ANY TIME.

DANIEL DOES NOT ASSUME RESPONSIBILITY FOR THE SELECTION, USE OR MAINTENANCE OF ANY PRODUCT. RESPONSIBILITY FOR PROPER SELECTION, USE AND MAINTENANCE OF ANY DANIEL PRODUCT REMAINS SOLELY WITH THE PURCHASER AND END-USER.

TO THE BEST OF DANIEL'S KNOWLEDGE THE INFORMATION HEREIN IS COMPLETE AND ACCURATE. DANIEL MAKES NO WARRANTIES, EXPRESSED OR IMPLIED, INCLUDING THE IMPLIED WARRANTIES OF MERCHANTABILITY AND FITNESS FOR A PARTICULAR PURPOSE WITH RESPECT TO THIS MANUAL AND, IN NO EVENT, SHALL DANIEL BE LIABLE FOR ANY INCIDENTAL, PUNITIVE, SPECIAL OR CONSEQUENTIAL DAMAGES INCLUDING, BUT NOT LIMITED TO, LOSS OF PRODUCTION, LOSS OF PROFITS, LOSS OF REVENUE OR USE AND COSTS INCURRED INCLUDING WITHOUT LIMITATION FOR CAPITAL, FUEL AND POWER, AND CLAIMS OF THIRD PARTIES.

PRODUCT NAMES USED HEREIN ARE FOR MANUFACTURER OR SUPPLIER IDENTIFICATION ONLY AND MAY BE TRADEMARKS/ REGISTERED TRADEMARKS OF THESE COMPANIES.

## Warranty and Limitations

1. LIMITED WARRANTY: Subject to the limitations contained in Section 2 herein, Daniel Measurement & Control, Inc. ("Daniel") warrants that the licensed firmware embodied in the Goods will execute the programming instructions provided by Daniel, and that the Goods manufactured by Daniel will be free from defects in materials or workmanship under normal use and care and Services will be performed by trained personnel using proper equipment and instrumentation for the particular Service provided. The foregoing warranties will apply until the expiration of the applicable warranty period. Goods are warranted for twelve (12) months from the date of initial installation or eighteen (18) months from the date of shipment by Daniel, whichever period expires first. Consumables and Services are warranted for a period of 90 days from the date of shipment or completion of the Services. Products purchased by Daniel from a third party for resale to Buyer ("Resale Products") shall carry only the warranty extended by the original manufacturer. Buyer agrees that Daniel has no liability for Resale Products beyond making a reasonable commercial effort to arrange for procurement and shipping of the Resale Products. If Buyer discovers any warranty defects and notifies Daniel thereof in writing during the applicable warranty period, Daniel shall, at its option, correct any errors that are found by Daniel in the firmware or Services or repair or replace F.O.B. point of manufacture that portion of the Goods or firmware found by Daniel to be defective, or refund the purchase price of the defective portion of the Goods/Services. All replacements or repairs necessitated by inadequate maintenance, normal wear and usage, unsuitable power sources or environmental conditions, accident, misuse, improper installation, modification, repair, use of unauthorized replacement parts, storage or handling, or any other cause not the fault of Daniel are not covered by this limited warranty, and shall be at Buyer's expense. Daniel shall not be obligated to pay any costs or charges incurred by Buyer or any other party except as may be agreed upon in writing in advance by Daniel. All costs of dismantling, reinstallation and freight and the time and expenses of Daniel's personnel and representatives for site travel and diagnosis under this warranty clause shall be borne by Buyer unless accepted in writing by Daniel. Goods repaired and parts replaced by Daniel during the warranty period shall be in warranty for the remainder of the original warranty period or ninety (90) days, whichever is longer. This limited warranty is the only warranty made by Daniel and can be amended only in a writing signed by Daniel. THE WARRANTIES AND REMEDIES SET FORTH ABOVE ARE EXCLUSIVE. THERE ARE NO REPRESENTATIONS OR WARRANTIES OF ANY KIND, EXPRESS OR IMPLIED, AS TO MERCHANTABILITY, FITNESS FOR PARTICULAR PURPOSE OR ANY OTHER MATTER WITH RESPECT TO ANY OF THE GOODS OR SERVICES. Buyer acknowledges and agrees that corrosion or erosion of materials is not covered by this warranty.

2. LIMITATION OF REMEDY AND LIABILITY: Daniel shall not be liable for damages caused by delay in performance. The remedies of Buyer set forth in this agreement are exclusive. In no event, regardless of the form of the claim or cause of action (whether based in contract, infringement, negligence, strict liability, other tort or otherwise), shall Daniel's liability to Buyer and/or its customers exceed the price to Buyer of the specific goods manufactured or services provided by Daniel giving rise to the claim or cause of action. Buyer agrees that in no event shall Daniel's liability to Buyer and/or its customers extend to include incidental, consequential or punitive damages. The term "consequential damages" shall include, but not be limited to, loss of anticipated profits, revenue or use and costs incurred including without limitation for capital, fuel and power, and claims of Buyer's customers.

# Contents

<b>Chapter 1</b>	<b>Introduction.....</b>	<b>11</b>
	1.1 General overview of Daniel Liquid Ultrasonic Flow Meter.....	11
	1.2 Typical applications.....	11
	1.3 Features and benefits of this product.....	12
	1.4 Acronyms, abbreviations and definitions.....	12
	1.5 Daniel MeterLink software.....	15
	1.6 Daniel 3814 Liquid Ultrasonic Flow meter design.....	16
	1.7 Meter specifications.....	18
	1.8 Pre-installation considerations.....	25
	1.9 Safety conditions.....	25
	1.10 Certifications and approvals.....	26
	1.11 FCC compliance.....	27
	1.12 References.....	27
<b>Chapter 2</b>	<b>Mechanical Installation.....</b>	<b>29</b>
	2.1 Meter piping, lifting and mounting.....	29
	2.2 Meter components.....	30
	2.3 Piping recommendations.....	34
	2.4 Meter safety for hoist rings and lifting slings.....	37
	2.5 Mounting requirements in heated or cooled pipelines.....	46
<b>Chapter 3</b>	<b>Electrical Installation.....</b>	<b>49</b>
	3.1 Cable length TTL mode.....	49
	3.2 Cable length Open Collector mode.....	49
	3.3 Grounding meter electronics.....	50
	3.4 Conduit seals.....	51
	3.5 Wiring and I/O.....	53
	3.6 Daniel Ultrasonic Meters I/O connections.....	58
	3.7 Security seal installation.....	64
	3.8 Sealing the unit.....	68
<b>Chapter 4</b>	<b>Configuration.....</b>	<b>69</b>
	4.1 Daniel MeterLink setup.....	69
	4.2 Using AMS Device Manager to configure the meter.....	74
	4.3 Using a Field Communicator to configure the meter.....	89
	4.4 Security seals for the meter.....	91
<b>Appendix A</b>	<b>Engineering Drawings.....</b>	<b>93</b>
	A.1 Daniel 3814 Liquid Ultrasonic Flow Meter drawings.....	93
<b>Appendix B</b>	<b>Open Sources licenses .....</b>	<b>95</b>
	B.1 List of Open Source licenses.....	95



# 1 Introduction

## 1.1 General overview of Daniel Liquid Ultrasonic Flow Meter

Daniel 3814 Liquid Ultrasonic Meters have various configurations that meet a broad range of customer requirements. Each meter comes fully assembled from Daniel™ Measurement and Control, Inc. and all parts and assemblies are tested prior to shipment.

Refer to the following documents for additional details:

- P/N 3-9000-762 HART® Field Device Specification Guide Liquid Ultrasonic Meter
- P/N 3-9000-764 Daniel 3810 Liquid Ultrasonic Meter Maintenance and Troubleshooting Manual

Computer simulations of various velocity profiles demonstrate that four measurement paths provide an optimum solution for measuring asymmetric flow. The Daniel 3814 Liquid Ultrasonic Meter utilizes four cross-bore, parallel-plane measurement paths to offer a high degree of accuracy, repeatability, and superior low-flow capabilities without the compromises associated with conventional technologies. These features make the Daniel 3814 Liquid Ultrasonic Meter the best choice for custody transfer applications.

The Daniel 3814 Liquid Ultrasonic Meter technology can be applied to custody transfer flow measurement applications as shown in the following section.

## 1.2 Typical applications

- Custody transfer measurement
- Allocation measurement
- High viscosity, low Reynolds Number applications (where  $Re \leq 5000$ )
- Check metering
- Leak detection
- Line balancing
- Batch control
- Loading and off loading
- Offshore
  - FPSO (Floating Production, Storage and Offshore Loading)
  - Offshore Platforms
  - Barges
- Pipelines
  - Crude Oil pipelines
  - Refined product pipelines

- Terminals
  - Loading and off-loading (Ship, barge, truck, railcar, etc...)
  - Tank Farms
  - Cavern Storage

## 1.3 Features and benefits of this product

- Explosion-proof transmitter electronics enclosure with CPU Module, Power Supply, Intrinsic Safety Barrier Module and Backplane board
- Intrinsically safe Transducer electronics enclosure with the Acquisition Module
- HART® and AMS Suite: Intelligent Device Manager communications for PlantWeb™ architecture
- Reduce unaccounted measurement
- Increase energy savings
- Replaceable transducers while under pressure
- Extensive self diagnostics
- Immediate alarm reporting
- Auto-detected ASCII/RTU Modbus communications protocol
- Interchangeable electronics modules
- Internet-ready communications
- Ethernet access
- Modbus TCP/IP
- On-board LED status indicators
- Analog pressure and temperature inputs
- Daniel MeterLink (a Windows™-based interface software)
- Local Display (optional)
- Glass endcap (for local display installations)

For other features and benefits refer to the product datasheet at: <https://www.emerson.com/en-us/automation/daniel>.

## 1.4 Acronyms, abbreviations and definitions

**Table 1-1: Acronyms, abbreviations and definitions**

Acronym or abbreviation	Definition
°	degree (angle)
°C	degrees celsius (temperature unit)
°F	degrees fahrenheit (temperature unit)



**Table 1-1: Acronyms, abbreviations and definitions (continued)**

Acronym or abbreviation	Definition
ADC	analog-to-digital converter
AI	analog input
AMS® Suite Device Manager	Asset Management Software - Device Manager
AO	analog output
ASCII MODBUS	A Modbus protocol message framing format in which ASCII characters are used to delineate the beginning and end of the frame. ASCII stands for American Standard Code for Information Interchange.
boolean	A type of data point that can only take on values of TRUE or FALSE (generally TRUE is represented by a value of 1, FALSE is represented by a value of 0)
bps	Bits per second (baud rate)
cPoise	Centipoise (viscosity unit)
CPU	Central Processing Unit
CTS	Clear-to-Send; the RS-232C handshaking signal input to a transmitter indicating that it is okay to transmit data – i.e., the corresponding receiver is ready to receive data. Generally, the Request-to-Send (RTS) output from a receiver is input to the Clear-to-Send (CTS) input of a transmitter.
DAC	Digital-to-Analog Converter
Daniel MeterLink™	Daniel Ultrasonic Meter interface software
DI	Digital Input
DO	Digital Output
DHCP	Dynamic Host Configuration Protocol
dm	decimeter (10 <sup>-1</sup> meters, length unit)
ECC	Error Correction Code
EEPROM	Electrically-Erasable, Programmable Read-Only Memory
Flash	non-volatile, programmable read-only memory
FODO	Output that is user configurable as either a frequency or digital output
HART® Communication Protocol	Highway Addressable Remote Transducer communications protocol
hr	hour (time unit)
Hz	Hertz (cycles per second, frequency unit)
I/O	Input/Output

**Table 1-1: Acronyms, abbreviations and definitions (continued)**

Acronym or abbreviation	Definition
IS	Intrinsically Safe
K	Kelvin (temperature unit)
kHz	Kilohertz (10 <sup>3</sup> cycles per second, frequency unit)
LAN	Local Area Network
LED	Light-emitting Diode
m	meter (length unit)
m <sup>3</sup> /d	cubic meters per day (volumetric flow rate)
m <sup>3</sup> /h	cubic meters per hour (volumetric flow rate)
m <sup>3</sup> /s	cubic meters per second (volumetric flow rate)
mA	milliamp (current unit)
MAC Address	Media Access Control (Ethernet Hardware Address -EHA)
microinch (μinch)	microinch (10 <sup>-6</sup> in)
micron	micrometer (10 <sup>-6</sup> m)
MMU	Memory Management Unit
MPa	Megapascal (equivalent to 10 <sup>6</sup> Pascal) (pressure unit)
N/A	Not Applicable
Nm <sup>3</sup> /h	normal cubic meters per hour
NOVRAM	Non-volatile Random Access Memory
Pa	Pascal, equivalent to 1 newton per square meter (pressure unit)
Pa·s	Pascal Second (viscosity unit)
PC	Personal Computer
PFC	Peripheral field connection (board)
P/N	part number
PS	power supply (board)
psi	pounds per square inch (pressure unit)
psia	pounds per square inch absolute (pressure unit)
psig	pounds per square inch gage (pressure unit)
R	Radius
rad	radian (angle)
RAM	Random Access Memory

**Table 1-1: Acronyms, abbreviations and definitions (continued)**


Acronym or abbreviation	Definition
RTS	Request-to-Send; the RS-232C handshaking signal output by a receiver when it is ready to receive data
RTU MODBUS	A Modbus protocol framing format in which elapsed time between received characters is used to separate messages. RTU stands for Remote Terminal Unit.
s	second (time unit, metric)
SDRAM	Synchronous Dynamic Random Access Memory
sec	second (time unit, u.s. customary)
TCP/IP	Transmission Control Protocol/Internet Protocol
time_t	seconds since Epoch (00:00:00 UTC Jan. 1, 1970) (time unit)
UDP	User Datagram Protocol
U.L.	Underwriters Laboratories, Inc. - product safety testing and certification organization
V	Volts (electric potential unit)
W	Watts (power unit)

## 1.5 Daniel MeterLink software

Daniel MeterLink software has robust features for setting communications parameters, calibrating your meter, collecting logs and reports and monitoring the meter health and alarm statuses. Daniel MeterLink may be downloaded at no charge from: <https://www.emerson.com/en-us/catalog/automation-solutions/measurement-instrumentation/flow/daniel-meterlink>

**Figure 1-1: Daniel MeterLink download and registration**

Automation Solutions / Daniel MeterLink Diagnostics Software



### Daniel MeterLink Diagnostics Software

Unique to Daniel™ Ultrasonic Flow Meters, the MeterLink™ software application displays a wealth of advanced diagnostics in real time to help operators quickly troubleshoot meter performance or pinpoint the cause of a flow disturbance. This feature-rich software improves uptime by providing easy access to expert flow analysis and alerts operators of abnormal flow profiles. The system's unparalleled combination of advanced diagnostics and early alarm capabilities ensure operators can immediately troubleshoot and resolve meter issues before failure occurs.

[CONTACT US >](#) [DOWNLOAD SOFTWARE >](#)

Select the MeterLink software and firmware bundle appropriate for your meter. Complete the Online registration form and you will receive a confirmation email with a hyperlink directing you to the download site.

---

**NOTICE**

After the download, follow the instructions in the Readme file. Do not attempt to unzip the zipped firmware file. Daniel MeterLink unzips the compressed file using the **Tools** → **Program Download** utility.

---

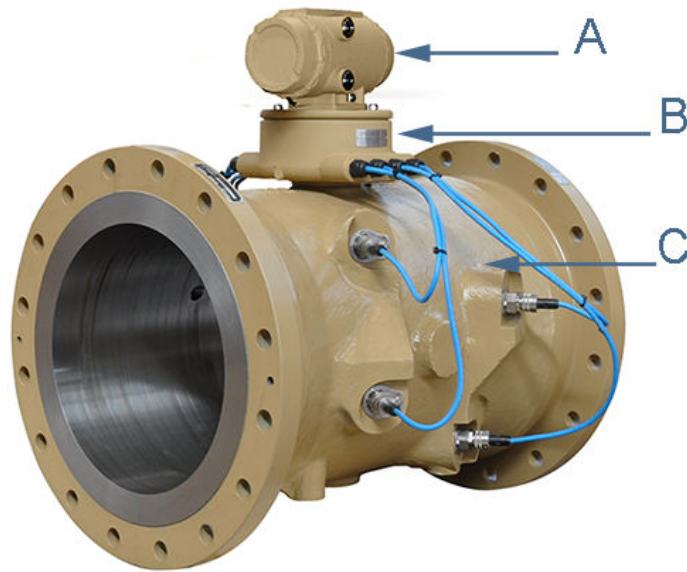
*Refer to the Daniel MeterLink Software for Gas and Liquid Ultrasonic Meters Quick Start Manual (P/N 3-9000-763) for installation instructions and to setup initial communications. You may download the manual from the Daniel MeterLink web page:*

<https://www.emerson.com/documents/automation/quick-start-guide-ultrasonic-flow-meters-meterlink-software-daniel-en-43940.pdf>

## 1.6 Daniel 3814 Liquid Ultrasonic Flow meter design

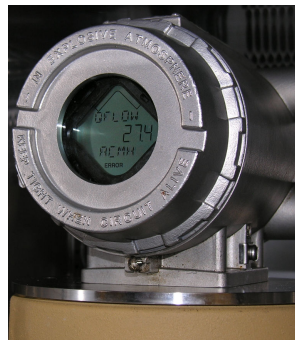
The Daniel 3814 Liquid Ultrasonic Flow Meter is a four-path (eight transducers) in-line meter designed to measure the difference in signal transit time with and against the flow across one or more measurement path(s). A signal transmitted in the flow direction travels faster than one transmitted against the flow direction. Each measurement path is defined by a transducer pair in which each transducer alternately acts as transmitter and receiver. The meter uses transit time measurements and transducer location information to calculate the mean velocity. Computer simulations of various velocity profiles demonstrate that multiple measurement paths provide an optimum solution for measuring asymmetric flow. The Daniel 3814 Liquid Ultrasonic Flow Meter utilizes four cross-bore, parallel-plane measurement paths, offers a high degree of repeatability, bi-directional measurement and superior low-flow capabilities without the compromises associated with conventional technologies.

**Figure 1-2: Daniel 3814 Liquid Ultrasonic Flow Meter Design**



- A. Transmitter electronics enclosure (explosion-proof) Optional - Local Display with glass endcap (Figure 1-3)
- B. Base electronics enclosure (intrinsically safe)
- C. Meter body with transducer assemblies (LT-031, LT-03, LT-04, LT-05, LT-08, or LT-09) (intrinsically safe)

**Figure 1-3: Transmitter electronics enclosure with optional local display and glass endcap**



The Daniel 3814 Liquid Ultrasonic Flow Meter is a four-path (eight transducers) in-line meter designed to measure the difference in signal transit time with and against the flow across one or more measurement path(s). A signal transmitted in the flow direction travels faster than one transmitted against the flow direction. Each measurement path is defined by a transducer pair in which each transducer alternately acts as transmitter and receiver. The meter uses transit time measurements and transducer location information to calculate the mean velocity.

Computer simulations of various velocity profiles demonstrate that multiple measurement paths provide an optimum solution for measuring asymmetric flow. The Daniel 3814 Liquid Ultrasonic Flow Meter utilizes four cross-bore, parallel-plane measurement paths, offers a high degree of repeatability, bi-directional measurement and superior flow capabilities for custody transfer without the compromises associated with conventional technologies.

The Daniel 3814 Liquid Ultrasonic Flow Meter's U.L. safety listing is accomplished through the combination of an explosion-proof Transmitter Electronics Enclosure that houses the CPU Module, Power Supply board, I.S. Barrier board, Backplane board and optional LCD Display board.

---

**Important**

The optional LCD Display requires firmware v1.04 or later and Uboot version, January 31, 2013.

---

The Base Electronics Enclosure is intrinsically safe and houses the Acquisition Module, the acquisition cable and wiring. The Intrinsically safe transducers and cable assemblies are designed for Class 1, Division 1, Groups C and D areas without need of further protection when installed in accordance with the field wiring diagram (refer to Daniel drawing DMC-004936, the Daniel 3814 Liquid Ultrasonic Flow Meter's U.L. safety listing is accomplished through the combination of an explosion-proof Transmitter Electronics Enclosure that houses the CPU Module, the Base Electronics Enclosure that houses the Acquisition Module with intrinsically safe transducers and cable assemblies designed for Class 1, Division 1, Groups C and D areas without need of further protection when installed in accordance with the field wiring diagram (refer to Daniel drawing DMC-004936, see [Appendix A](#)) and [Section 1.8](#).

## 1.7 Meter specifications

 **CAUTION**

FLUID CONTENTS MAY BE HAZARDOUS

The meter must be fully depressurized and drained before attempting to remove the transducer housing. If fluid begins to leak from the transducer housing, immediately reinstall it.

Failure to comply may cause serious injury or equipment damage.

 **CAUTION**

ESCAPING FLUIDS HAZARD

The purchaser of the meter is responsible for the selection of Daniel components/seals and materials compatible with the chemical properties of the measurement fluid.

Failure to select suitable meter components/seals may cause escaping fluids, resulting in injury or equipment damage.

Consult your Daniel Sales and Service representative to ensure you purchase the correct components and seals for your application.

Specifications for Daniel 3814 Liquid Ultrasonic Flow Meters are below:

**Table 1-2: Meter specifications**

<b>Liquid Meter specifications</b>	
Meter type	Number of paths: <ul style="list-style-type: none"> <li>• Four path (eight transducer) chordal design</li> </ul>
Ultrasonic type	<ul style="list-style-type: none"> <li>• Transit-time based measurement</li> <li>• Spool piece with integral mount transducers</li> </ul>
Enclosure materials	<ul style="list-style-type: none"> <li>• ASTM B26 Gr A356.0 T6 Aluminum                             <ul style="list-style-type: none"> <li>— Chromate conversion coated with a polyurethane enamel</li> </ul> </li> <li>• ASTM A351 Gr CF8M Stainless Steel                             <ul style="list-style-type: none"> <li>— Passivated</li> </ul> </li> </ul>
<i>Meter Performance</i>	
Linearity	<ul style="list-style-type: none"> <li>• <math>\pm 0.15\%</math> of measured value over a 10:1 turndown</li> <li>• <math>\pm 0.20\%</math> of measured value over a 20:1 turndown</li> </ul>
Uncertainty of Meter Factor	$< \pm 0.027\%$ (API MPMS, Chapter 5, Section 8, Table B-1)
Velocity range	<ul style="list-style-type: none"> <li>• 2.0 fps (0.6 m/s) to 40.0 fps (12.2 m/s) (nominal) 48 fps (14.3 m/s) (over-range)</li> </ul>
Upper Viscosity Limit	<ul style="list-style-type: none"> <li>• 150 centipoise (Transducers LT-01, LT-03, LT-08, LT-09)</li> <li>• 1000 centipoise (Transducers LT-04, LT-05)</li> </ul>

**Table 1-2: Meter specifications (continued)**

Liquid Meter specifications	
Body and Flange Pressure rating range	<p>U.S. Customary Units - Meter sizes 4 inches to 24 inches (Raised face, RTJ or Companion)</p> <ul style="list-style-type: none"> <li>• Line sizes: <ul style="list-style-type: none"> <li>— 4" inches (DN 100)</li> <li>— 6" inches (DN 150)</li> <li>— 8" inches (DN 200)</li> <li>— 10" inches (DN 250)</li> <li>— 12" inches (DN 300)</li> <li>— 16" inches (DN 400)</li> <li>— 18" inches (DN 450)</li> <li>— 20" inches (DN 500)</li> <li>— 24" inches (DN 600)</li> </ul> </li> <li>• ANSI pressure classes (per ANSI B16.5): <ul style="list-style-type: none"> <li>— 150 ANSI / PN 20</li> <li>— 300 ANSI / PN 50</li> <li>— 600 ANSI / PN 100</li> <li>— 900 ANSI / PN 150</li> <li>— 1500 ANSI/PN 200</li> </ul> </li> <li>• Body and flange material and temperature ratings: <ul style="list-style-type: none"> <li>— Carbon Steel body and Flanges: (-45 °C to 150 °C)</li> <li>— 316 Stainless steel body and flanges: (-50 °C to 150 °C)</li> <li>— 316L Stainless steel body and flanges: (-50 °C to 150 °C)</li> <li>— Carbon Steel body and flanges: (-50 °C to 150 °C)</li> </ul> </li> <li>• Maximum Pressures <ul style="list-style-type: none"> <li>— Dependent on operating temperature</li> </ul> </li> <li>• Minimum Pressures <ul style="list-style-type: none"> <li>— 0 psig 0 barg</li> </ul> </li> </ul> <p>Meter bore</p> <ul style="list-style-type: none"> <li>• Schedule 20, 30, 40, 80, 120, 160, LW, XS, XXS and Standard</li> </ul>
Flange types	<ul style="list-style-type: none"> <li>• Raised face or RTJ</li> </ul>
Specific Gravity	<ul style="list-style-type: none"> <li>• 0.35 to 1.50</li> </ul>



**Table 1-2: Meter specifications (continued)**

<b>Liquid Meter specifications</b>	
Accuracy Limits	<ul style="list-style-type: none"> <li>• Accuracy limits typically are:                             <ul style="list-style-type: none"> <li>— <math>\pm 0.20\%</math> without a flow calibration</li> </ul> </li> </ul>
Power	<p>Meter</p> <ul style="list-style-type: none"> <li>• 10.4 VDC to 36 VDC</li> <li>• 11 W typical power consumption</li> </ul>
Temperature flameproof Transmitter Electronic Enclosure and Base Electronics Enclosure	<p>Serial cable</p> <ul style="list-style-type: none"> <li>• Belden #9940 or equivalent (22 gauge)                             <ul style="list-style-type: none"> <li>— Capacitance (pF/m) 121.397 (conductor to conductor)</li> <li>— Capacitance (pF/m) 219.827 (conductor to other conductor and shield)</li> <li>— Resistance (DC) DCR @ 20 °C (Ohm/km) 48.2307 Nominal Outer shield resistance - DCR @ 20 °C (Ohm/km) 16.405</li> <li>— Operating voltage - 300 V RMS (UL AWM Style 2464)</li> <li>— Current 2.4 Amps per conductor @ 25 °C (recommended)</li> </ul> </li> </ul> <p>Ethernet cable</p> <ul style="list-style-type: none"> <li>• Cat-5 Standard 100Mbps</li> </ul> <p>Frequency (see <a href="#">Table 3-1</a>)</p> <ul style="list-style-type: none"> <li>• 22 AWG wire characteristics are as follows:                             <ul style="list-style-type: none"> <li>— Capacitance = 20 pF/ft or 20 nF/1000 ft (between two wires)</li> <li>— Resistance = 0.0168 Ohms/ft or 16.8 Ohms/1000 ft</li> <li>— Pull-up voltage is 24 VDC</li> </ul> </li> </ul>

**Table 1-2: Meter specifications (continued)**

<b>Liquid Meter specifications</b>	
Transducers	<ul style="list-style-type: none"> <li>• LT-01, LT-03                             <ul style="list-style-type: none"> <li>— Operating Temperature Range -58 °F to +212 °F (-50 °C to 100 °C)</li> </ul> </li> <li>• LT-04, LT-05, LT-08, LT-09                             <ul style="list-style-type: none"> <li>— Operating Temperature Range -58 °F to +302 °F (-50 °C to +150 °C)</li> </ul> </li> </ul> <hr/> <p><b>Note</b> The process temperature must not exceed the operating temperature range of the transducers.</p> <hr/> <p><b>Note</b> The ultrasonic transducers are not intended for use across boundary walls of different hazardous area classifications. The transmitter electronics cannot be remote mounted from a Division 1 classification to a Division 2 area to meet an area classification.</p>
<i>Communications specifications</i>	
Connectivity protocols	One serial RS-232/RS-485 ports (115 kbps baud rate) (Modbus RTU/ASCII) <ul style="list-style-type: none"> <li>• (1) Serial Port A (RS-232/RS-485 Full Duplex/RS-485 Half Duplex)</li> </ul>
	One Ethernet Port (TCP/IP) 100 BaseT <ul style="list-style-type: none"> <li>• Up to 10 Mbps</li> <li>• Modbus TCP</li> </ul>
Device compatibility	FloBoss 103, FloBoss S600 flow computer, ROC 107
<i>Digital, analog, and frequency inputs</i>	
Digital Input(s) (Selectable)	(1) Single polarity (for flow calibration gating - contact closure) <ul style="list-style-type: none"> <li>• Single input for starting and stopping</li> <li>• Four pulse configurations available</li> </ul>

**Table 1-2: Meter specifications (continued)**

Liquid Meter specifications	
Analog Input(s)	<p>(2) 4-20 mA</p> <ul style="list-style-type: none"> <li>• AI-1 Temperature</li> <li>• AI-2 Pressure</li> </ul> <hr/> <p><b>Note</b> The analog-to-digital conversion accuracy is within <math>\pm 0.05\%</math> of full scale over the operating temperature range.</p> <hr/> <p><b>Note</b> AI-1 and AI-2 are electronically isolated and operate in sink mode. The input contains a series resistance so HART<sup>®</sup> Communicators can be connected to configure sensors.</p> <hr/> <p>A 24 Volt DC power supply is available to provide power to the sensors.</p>
<i>Digital, analog, and frequency outputs</i>	

**Table 1-2: Meter specifications (continued)**

Liquid Meter specifications	
Frequency/Digital Output(s)	<p>The meter has user-configurable selections for either a frequency output or digital status (FODO) (Also <a href="#">Frequency/Digital outputs</a>).</p> <p>Frequency/Digital Outputs</p> <ul style="list-style-type: none"> <li>• FODO1 (eight possible output configurations)</li> <li>• FODO2 (eight possible output configurations)</li> <li>• FODO3 (eight possible output configurations)</li> <li>• FODO4 (eight possible output configurations)</li> <li>• FODO5 (eight possible output configurations)</li> <li>• FODO6 (eight possible output configurations)</li> </ul> <p>Frequency or Digital Output parameter pairs (<a href="#">Frequency/Digital outputs</a>)</p> <p>Frequency or Digital Outputs (FODO 1, FODO2, FODO3, FODO4, FODO5, FODO6) source selections.</p> <ul style="list-style-type: none"> <li>• (FO1A, DO1A, FO1B, DO1B, FO2A, DO2A, FO2B, DO2B)</li> </ul> <p>Mode options:</p> <ul style="list-style-type: none"> <li>• Open Collector (requires external excitation supply voltage and pull-up resistor)</li> <li>• TTL (internally powered by the meter 0-5 VDC signal)</li> </ul> <p>Channel B Phase options:</p> <ul style="list-style-type: none"> <li>• Lag forward, Lead reverse (Phase B lags Phase A while reporting forward flow, leads Phase A while reporting reverse flow)</li> <li>• Lead forward, Lag reverse (Phase B leads Phase A while reporting forward flow, lags Phase A while reporting reverse flow)</li> </ul> <p>Phase A and Phase B output (based on flow direction)</p> <ul style="list-style-type: none"> <li>• Reverse flow - output only reports flow in the reverse direction. For frequency outputs, Phase B of the output is 90 degrees out of phase with Phase A.</li> </ul>

**Table 1-2: Meter specifications (continued)**

Liquid Meter specifications	
	<ul style="list-style-type: none"> <li>• Forward flow - output only reports flow in the forward direction. For frequency outputs, Phase B of the output is 90 degrees out of phase with Phase A.</li> <li>• Absolute - output reports flow in both directions. For frequency outputs, Phase B of the output is 90 degrees out of phase with Phase A.</li> <li>• Bidirectional - output reports flow on Phase A only in the forward direction and on Phase B only in the reverse direction.</li> </ul> <p>Maximum frequency for the frequency outputs</p> <ul style="list-style-type: none"> <li>• 1000Hz</li> <li>• 5000Hz</li> </ul>
Analog Output(s)	<ul style="list-style-type: none"> <li>• (1) 4-20 mA independently configurable analog output (HART)</li> <li>• (1) 4-20 mA independently configurable analog output (conventional)</li> </ul> <p>The analog output zero scale offset error is within <math>\pm 0.1\%</math> of full scale and gain error is within <math>\pm 0.2\%</math> of full scale. The total output drift is within <math>\pm 50</math> ppm of full scale per <math>^{\circ}\text{C}</math>.</p>

## 1.8 Pre-installation considerations

- Pipeline equipment code compliance, ANSI, ASME, etc.
- Proper inlet/outlet meter tube piping for reasonable stable flow to the settling chamber (first meter tube spool upstream of the meter).
- Electrical safety compliance; UL, ULC, ATEX, IECEx etc.
- Civil and structural good practices compliance
- Contractual agreements or governmental compliance (or both)
- In-situ performance test procedures
- In-situ meter calibration
- Field tested advanced meter health and flow dynamics diagnostics
- Data collection and retention procedures

## 1.9 Safety conditions

Daniel 3810 Series Liquid Ultrasonic Meters are approved to the ATEX Directive 94/9/EC.

Refer to the 3810 Series Systems Wiring Diagram, Sheet 3 (P/N DMC-004936) for the certification tag (see [Appendix A](#)).

Daniel 3810 Series Liquid Ultrasonic Meters are INMETRO certified. Refer to the 3810 Series Liquid Ultrasonic Flow Meter Tag, INMETRO Certification drawing DMC-006173.

Certificate number: NCC 11.0163 X

Marking: --Ex d ia IIB T4 Gb IP66 W

Electrical parameters: Refer to [Section 1.6, Table 1-2](#)

#### Special conditions for safe use

- Explosion proof joint dimensions are compliant with the Brazilian Association of technical standard: ABNT NBR IEC 60079-1, Table 3.
- The enclosure for the explosion proof transmitter and intrinsically safe barrier must be remote mounted (refer to [Section 1.6, Table 1-2](#)) if the operating temperature exceeds 140 °F (60 °C) (refer to [Section 1.6, Table 1-2](#))
- Cable length (refer to [Section 1.6, Table 1-2](#))



#### **WARNING**

EXPLOSION OR FIRE HAZARD

Read and follow the instructions below:

- Conduit runs must have a sealing fitting within 457mm (18 inches) of the enclosure to reduce the risk of an explosion or a fire.
- During operation, keep covers tightly closed. DO NOT open the transmitter electronics enclosures when an explosive atmosphere may be present.
- During equipment maintenance, disconnect power before opening the transmitter electronics enclosures. Clean cover joints before replacing.
- DO NOT substitute meter components. Substituting components may compromise the intrinsic safety of the device.

Failure to follow these safety instructions can result in severe injury to personnel or cause damage to the equipment.

## 1.10 Certifications and approvals

Daniel 3814 Liquid Ultrasonic Flow Meters have electrical, metrology, intrinsic safety and Pressure Equipment Directive certifications and approvals by the agencies listed below. Refer to the nameplate tag on the meter body, the wiring diagram (P/N DMC-004936) in [Appendix A](#) and observe all safety precautions. Daniel 3810 Series Liquid Ultrasonic Flow Meters operate within the pressure and temperature range of the device (also see [Meter specifications](#)).

#### Standards

- US
- Canada
- Europe

- Explosive Atmospheres (ATEX)
- International Electro-technical Commission (IECEX)
- Pressure Equipment Directive (PED via BSI)
- Electromagnetic Compatibility (EMC)
- International Organization of Legal Metrology (OIML)

#### Approval Agencies

- UL
- ULC
- DEMKO
- INMETRO
- NEPSI
- GOSTR

---

#### Important

Please consult Daniel for a complete metrology approvals list.

---

## 1.11 FCC compliance

This equipment has been tested and found to comply with the limits for a Class A digital device, pursuant to Part 15 of the FCC Rules. These limits are designed to provide reasonable protection against harmful interference when the equipment is operated in a commercial environment.

This equipment generates, uses, and can radiate radio frequency energy and, if not installed and used in accordance with the instruction manual, may cause harmful interference to radio communications. Operation of this equipment in a residential area is likely to cause harmful interference in which case the user will be required to correct the interference at his own expense.

---

#### NOTICE

Changes or modifications not expressly approved by the party responsible for compliance could void the user's authority to operate the equipment.

---

## 1.12 References

1	Gould Modbus Protocol Reference Guide, Rev. B, PI-MBUS-300
2	API MPMS Chapter 5.8, Section 8-Measurement of Liquid Hydrocarbons by Ultrasonic Flow Meters Using Transit Time Technology, Edition: 2nd American Petroleum Institute / 01-Nov- 2011
3	API MPMS Chapter 4.2, Displacement Provers, 3rd Edition   September 2003   Reaffirmed: March 2011

4	API MPMS Chapter 12.2, Calculation of Petroleum Quantities Using Dynamic Measurement Methods And Volumetric Correction Factors, 2nd Edition   May 1995   Reaffirmed: February 2009
---	--



## 2 Mechanical Installation

### 2.1 Meter piping, lifting and mounting

Refer to the following sections for piping recommendations, lifting with hoist rings and slings, mounting in cooled pipelines and safety warnings and precautions.



#### **CAUTION**

##### **SURFACE TEMPERATURE HAZARD**

The meter body and piping may be extremely cold.

Wear appropriate personal protective equipment when coming in contact with the meter.

Failure to comply may result in injury.



#### **CAUTION**

##### **TRIPPING HAZARD**

Clear all obstacles or obstructions from the work area when transporting, installing or removing the meter.

Failure to clear the work area may cause injury to personnel.



#### **WARNING**

##### **CUTTING HAZARD**

Sharp edges may be present on the meter.

Wear appropriate personal protective equipment when working on the meter.

Failure to comply can cause serious injury to personnel.



#### **CAUTION**

##### **TRANSPORTATION HAZARD**

When moving the meter, do not insert the forks of a forklift into the bore.

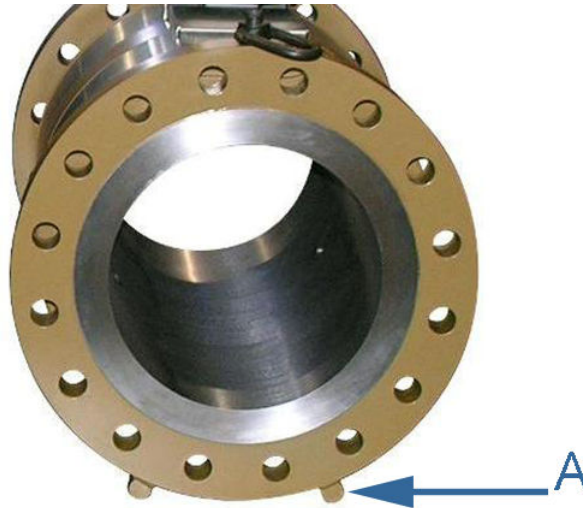
Inserting the forks may cause the meter to become unstable, resulting in injury or damage to the bore and sealing face.

**! WARNING**

**CRUSHING HAZARD**

Do not remove flange stabilizers.

Failure to comply can cause serious injury or equipment damage.



A. Flange stabilizers

## 2.2 Meter components

Daniel 3810 Series Ultrasonic Flow Meters are assembled, configured, and tested at the factory. The meter components include the Transmitter Electronics Enclosure, the Base Electronics.

Enclosure and the Meter Body with transducer assemblies.

**! WARNING**

**FLUID CONTENTS MAY BE UNDER PRESSURE**

When the meter is under pressure, **DO NOT** attempt to remove or adjust the transducer housing.

Attempting to do so may release pressurized fluid, resulting in serious injury or equipment damage

**! WARNING****FLUID CONTENTS MAY BE HAZARDOUS**

The meter must be fully depressurized and drained before attempting to remove the transducer housing. If fluid begins to leak from the transducer housing, immediately reinstall it.

Failure to comply may cause serious injury or equipment damage.



A. Transducer housing

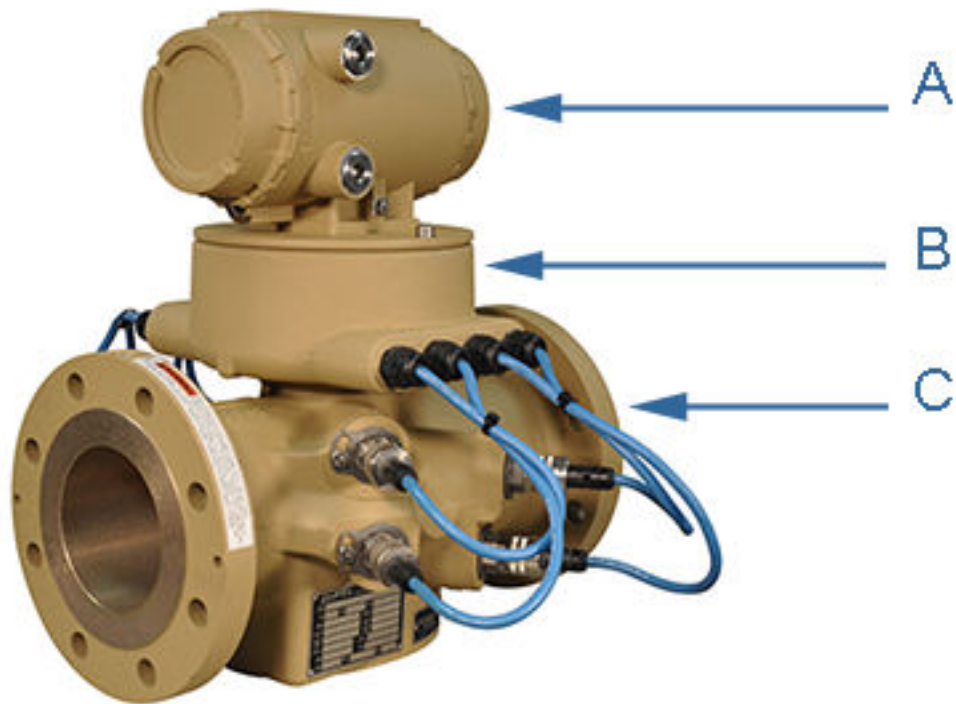
**! WARNING****EXPLOSION OR FIRE HAZARD**

Conduit runs must have a sealing fitting within 50 mm (2 inches) of the enclosure to reduce the risk of an explosion or a fire.

- During operation, keep covers tight.
- During equipment maintenance, disconnect power before opening transmitter or base electronics. Clean cover joints before replacing.
- DO NOT substitute meter components. Component substituting may compromise the intrinsic safety.

Failure to do so may result in severe injury to personnel or cause damage to the equipment.

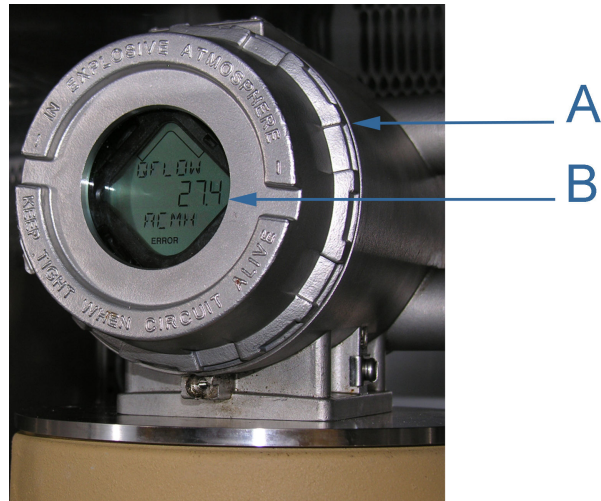
**Figure 2-1: Daniel 3814 Liquid Ultrasonic Flow Meter assembly**



- A. Explosion-proof transmitter enclosure (CPU Module, Power Supply, I.S. Barrier Board and Backplane Board, Optional: glass endcap for Local Display)
- B. Intrinsically-safe base enclosure includes Acquisition Module
- C. Meter body transducer assemblies and cables

---

**Figure 2-2: Transmitter electronics enclosure with optional local display and glass endcap**



- A. Transmitter electronics enclosure with glass endcap
  - B. Local display
-

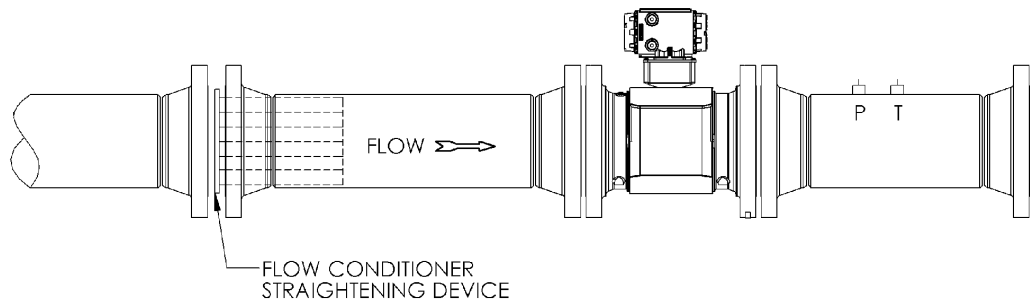
## 2.3 Piping recommendations

**! WARNING**  
BURST HAZARD

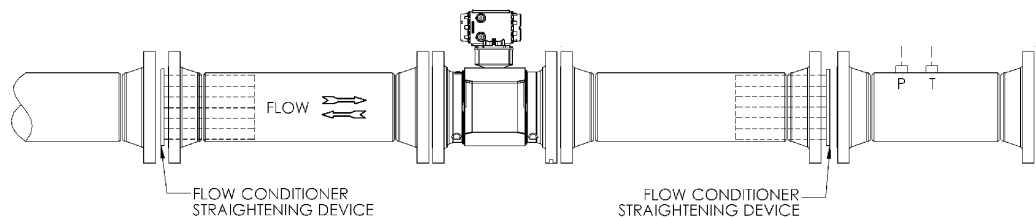
Before pipeline cleaning and maintenance (“pigging operations”), remove straightening vanes or flow conditioners.

Failure to comply may cause excessive pressure in the meter system, resulting in death, serious injury or equipment damage.

3814 Ultrasonic Flow Meter with flow conditioner for unidirectional flow



3814 Ultrasonic Flow Meter with flow conditioner for bidirectional flow



Flow conditioning is recommended for best measurement results:

- Honed or un-honed meter tube(s)
- Flow direction (unidirectional or bidirectional)
- Correct meter size selection - too low may cause poor flow stability (thermal convection or too fast may cause erosion problems and resonance, cracks or failure of probes or thermowells (approximately 0.6 to 12 m/sec or 2 to 40 ft./sec).
- Space availability for meter lengths (to allow inlet piping customization)
- Concentric alignment pins or flange concentricity technique considerations

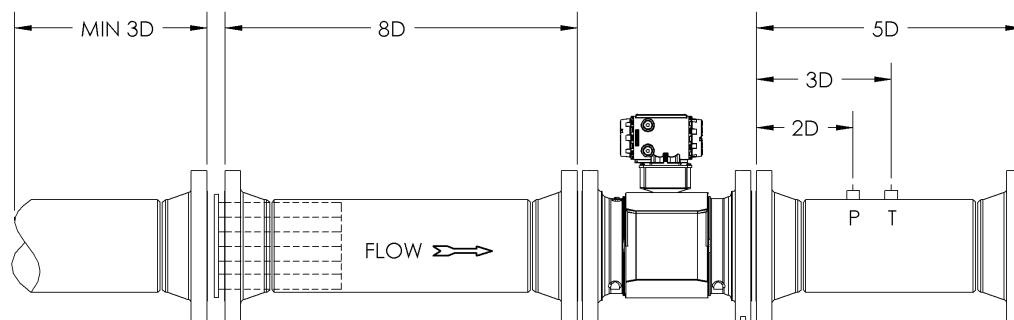
---

### NOTICE

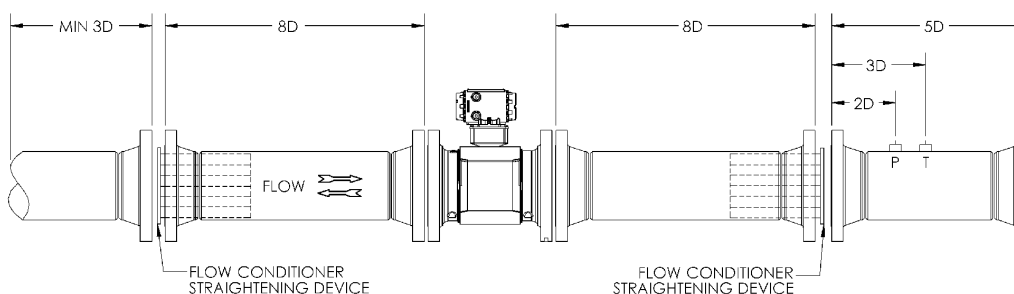
For optimal flow measurement conditions, Daniel suggests the piping configurations below. Regardless of the configuration selected, the user agrees to accept full responsibility for the site piping design and installation.

---

**Figure 2-3: Piping recommendations unidirectional flow**



**Figure 2-4: Piping recommendations bidirectional flow**



All pipe lengths are minimum:

- D = Nominal pipe size in inches (i.e. 6" pipe size; 10 D = 48 in)
- P = Pressure measurement location
- T = Temperature measurement location

Refer to the ultrasonic meter product data sheet for piping information. The Liquid Ultrasonic Flow Meter Datasheet may be downloaded from the Daniel website: <https://www.emerson.com/en-us/automation/daniel>

**NOTICE**

To access the product datasheet, from the Daniel products page (above link), select the Daniel Liquid Ultrasonic Flow Meter link, click the Documentation tab, expand the Data Sheets - Bulletins - Catalogs tab, then select the Data Sheet.

Meter tube dimensions with tube bundle or profiler plate for uni-directional and bi-directional flow, the minimum straight pipe length is as follows:

**Table 2-1: Piping recommendation for uni-directional or bi-directional flow**

Uni-Directional Flow	Bi-Directional Flow
8D up stream (with a flow conditioner)	8D up stream (with a flow conditioner)
8D up stream (no flow conditioner)	8D up stream (no flow conditioner)
5D down stream	8D down stream

- The bore of the mating piping should be within 1% of the meter inside diameter.
- The meter is provided with dowel pins to align the meter body bore with the bore of the mating piping.
- The Daniel Liquid Ultrasonic Flow Meter should be mounted in horizontal piping with the chord paths horizontal

**CAUTION****FAULTY METER INSTALLATION**

Correctly install the equipment. If meter bodies are mounted or oriented differently than specified above, debris may collect in the transducer ports.

Failure to comply may cause equipment damage or adversely affect the transducer signals.

- Normally, the meter body is installed so that the electronics assembly is on the top of the meter. If there is insufficient space above the piping for this arrangement, the meter can be ordered with extra long transducer cables for remote mounting or the meter housing can be installed with the electronics assembly on the bottom.
- The mating piping should include temperature and pressure measurement connections located a minimum of two nominal pipe diameters length down stream of the meter, or per API MPMS 5.8.
- Piping requirements for field calibration of high viscosity, low Reynolds Number applications is comprised of the upstream pipe section, CPA (Canadian Pipeline Associates) flow conditioning plate, Venturi reducer section, ultrasonic meter and downstream pipe section.

## 2.3.1 High Viscosity piping requirements

The piping requirements for High Viscosity meter applications are shown in [Figure 2-5](#).

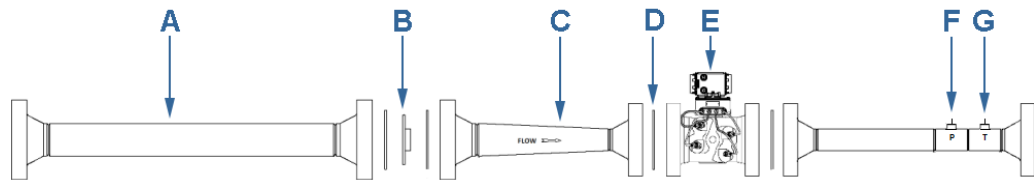
**CAUTION****HIGH VISCOSITY FLOW MEASUREMENT METER RECALIBRATION**

In high viscosity meter applications, if the connection between the upstream meter flange ([Figure 2-5](#), Item D) and the Venturi reducer ([Figure 2-5](#), Item C) is disassembled or disturbed for any reason, the meter will need to be recalibrated in accordance with Daniel recommendations. Alignment of this flange joint is critical in the performance of the meter. It is recommended to consult Daniel Support for assistance when re-aligning this joint.

Failure to recalibrate the meter and correctly reinstall the flanged joint will result in faulty flow measurement.



**Figure 2-5: High Viscosity meter tube and Venturi piping recommendations**



- A. Meter tube
- B. Flow conditioner and flange gaskets
- C. Venturi conical reducer
- D. Upstream meter flange
- E. 3810 Series Liquid Ultrasonic Flow Meter
- F. Pressure tap
- G. Temperature ap

Sunshields, to be provided by the customer, may be required to prevent exceeding the ambient operating temperature range when the meter is mounted in a location with extremely hot climates.

**!** **CAUTION**  
SUNSHIELD PROTECTION

Install a sunshield to prevent prolonged exposure to direct sunlight in extreme climates. Failure to shield the meter may result in exceeding the process temperature range and damage transmitter electronics.

## 2.4 Meter safety for hoist rings and lifting slings

A Daniel Liquid Ultrasonic Flow Meter can be safely lifted and maneuvered into and out of a meter run for installation or service by obeying the following instructions.

 **WARNING****FALLING AND CRUSHING HAZARD****Lifting a Daniel Ultrasonic Meter with Other Equipment**

The following lifting instructions are for installation and removal of the Daniel Liquid Ultrasonic Meter ONLY. The instructions below do not address lifting the Daniel ultrasonic meter while it is attached, bolted, or welded to meter tubes, piping, or other fittings.

The operator must refer to their company's hoisting and rigging standards, or the "DOE-STD-1090-2004 Hoisting and Rigging" standard if such company standards do not exist, for lifting and maneuvering any assembled meter tube and associated piping.

Using these instructions to maneuver the Daniel Ultrasonic Meter while it is still attached, bolted, or welded to a meter tube, piping, or other fitting can result in death, serious injury or equipment damage.

 **WARNING****CRUSHING HAZARD**

During meter installation or removal, always place the unit on a stable platform or surface that supports its assembled weight. Provide support for the dual transmitter electronics assemblies during installation and removal.

Failure to comply can cause the meter to roll and the electrical wiring conduit connections to be severed, resulting in serious injury or equipment damage.

---

**NOTICE**

Prior to lifting the unit, refer to the Daniel 3814 Liquid Ultrasonic Flow Meter nameplate or outline dimensional (general arrangement) drawing for the assembled weight.

---

When lifting a Daniel ultrasonic meter by itself, Daniel recommends two methods. These methods are:

- Using appropriately rated Safety Engineered Swivel Hoist Rings installed in the Daniel Ultrasonic Meter end flanges.
- Using appropriately rated lifting slings positioned at designated areas of the Daniel Ultrasonic Meter.

Both methods must be used in conjunction with all appropriate company hoisting and rigging standards or the DOE-STD-1090-2004 HOISTING AND RIGGING standard if such company standards do not exist. Refer to the following sections for more information on these two methods.

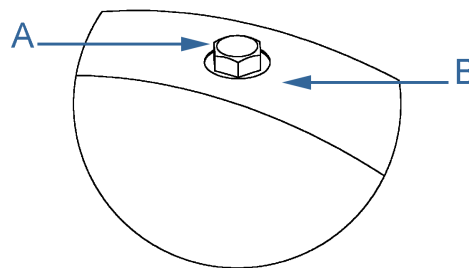
## 2.4.1 Use of appropriate safety engineered swivel hoist rings in meter end flanges

Daniel Ultrasonic meters come equipped with a tapped hole located on the top of each meter body end flange. A flat machined surface surrounds each tapped hole (see [Figure 2-6](#)). This feature provides complete surface contact ONLY between the meter flange and an OSHA compliant Safety Engineered Swivel Hoist Ring as shown in [Figure 2-7](#).

Operators SHALL NOT use Eye Bolts (see [Figure 2-7](#)) in the Daniel 3814 Liquid Ultrasonic Meter flange tapped holes to aid in lifting or maneuvering the unit.

Operators SHALL NOT use other Hoist Rings that do not fully seat flush with the counter bore on the top of the meter flanges.

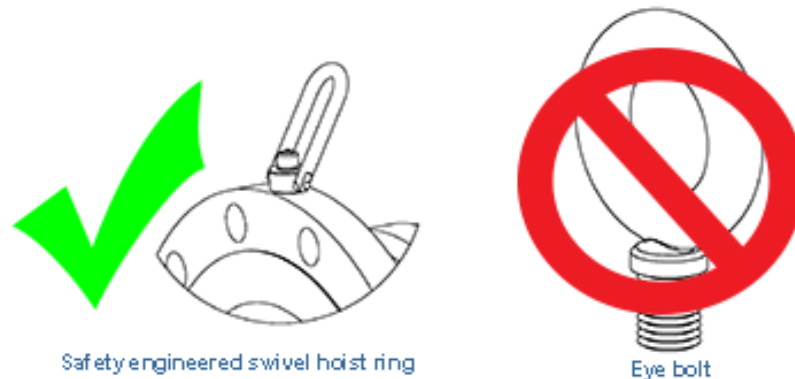
**Figure 2-6: Meter end flange with tapped flat-counterbore hole for hoist ring**



A. Plug Bolt

B. Flat Counterbore Surface

**Figure 2-7: Safety approved hoist ring and non-compliant eye bolt**



## Safety precautions using safety engineered swivel hoist rings

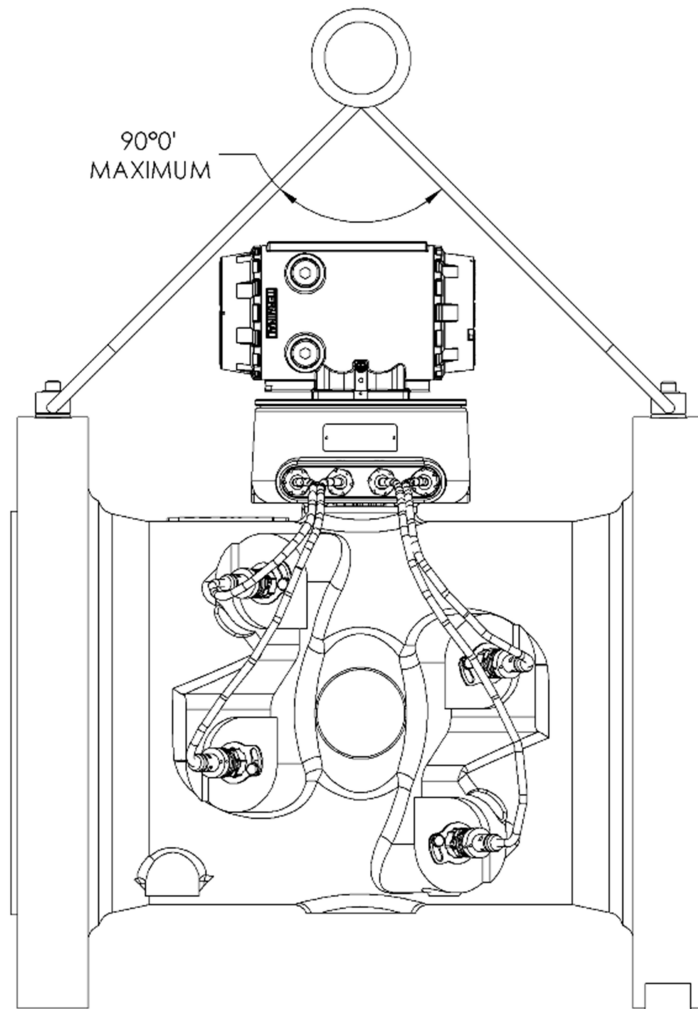
Read and follow the Safety Precautions listed below:

### Procedure

1. Meters must only be lifted by personnel properly trained in the safe practices of rigging and lifting.
2. Remove the plug bolts installed in the tapped holes on the top of the flanges. Do not discard the bolts as they must be reinstalled once the lifting operation is complete to prevent corrosion of the tapped holes.
3. Ensure the tapped holes on the meter are clean and free of debris before installing the hoist rings.

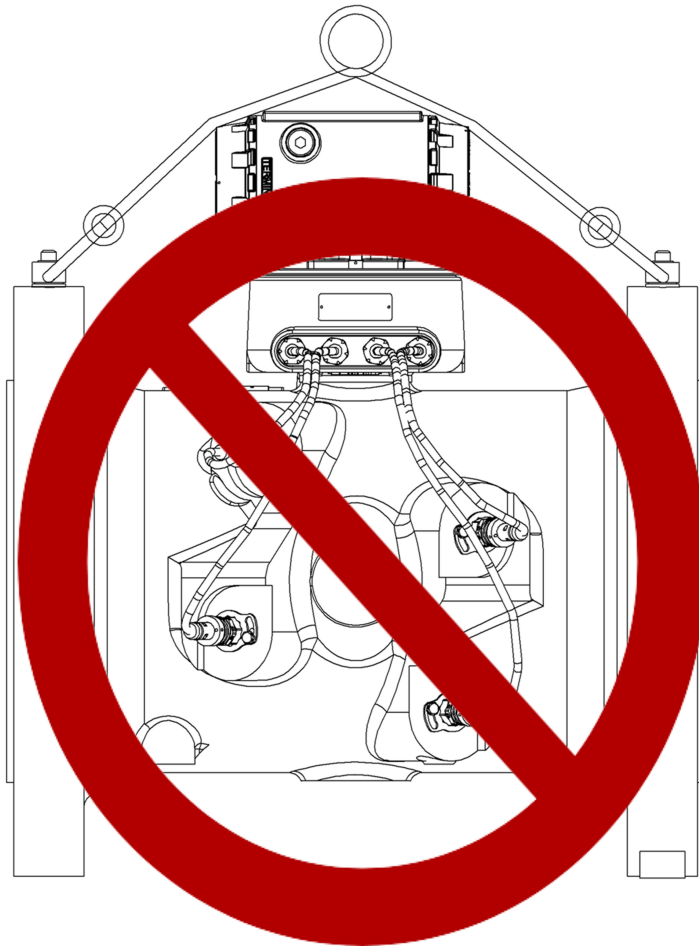
4. Use only the safety engineered swivel hoist rings that are rated for lifting the meter. Do not use any other type of hoist rings with the same screw size or heavy duty hoist rings. The meter tapping and counter bore size are suitable only for the hoist rings specified by Daniel.
5. When installing a hoist ring, make sure the base surface of the hoist ring fully contacts the machined flat surface of the tapped hole. If the two surfaces do not come in contact then the hoist ring will not hold its full rated load. Torque the hoist ring attachment bolts to the limit indicated on the hoist rings.
6. After installation of the hoist rings, always check that the ring rotates and pivots freely in all directions.
7. NEVER attempt to lift the meter using only one hoist ring.
8. Always use separate slings to each hoist ring. NEVER reeve one sling through both hoist rings. The slings must be of equal length. Each sling must have a load rating that equals or exceeds the hoist ring load rating. The angle between the two slings going to the hoist rings must never exceed 90 degrees or the load rating of the hoist rings will be exceeded.

Figure 2-8: 90 Degree angle between slings



9. NEVER allow the slings to contact the electronics enclosure. Damage to the enclosure may occur. Use a spreader bar with the slings to prevent contact with the electronics enclosure and the base enclosure (see [Figure 2-10](#)). If the slings do come in contact with the electronic enclosure then remove the two bolts holding the enclosure to its base and temporarily remove the head from the meter during the lifting operation. You will need to unplug the cable from J3 on the Acquisition Module. Two screws hold this cable in place. Once the lifting operation is complete, reattach and secure the electronics cable to J3 on the Acquisition Module, return the electronics enclosure to its original position, replace the bolts, and secure the enclosure in place. Lifting the meter with the upper enclosure installed but without the bolts installed, may cause the electronics to fall and cause personal injury or equipment damage.

Figure 2-9: Incorrect sling attachment



10. NEVER apply shock loads to the meter. Always lift the meter gradually. If shock loading ever occurs, the hoist ring must be inspected per manufacturer's recommendations prior to be placed in any further service. If a proper inspection cannot be performed, discard the hoist ring.
11. NEVER lift with any device, such as hooks, chains, or cables that could create side pulls that could damage the ring of the hoist ring.
12. NEVER lift more than the ultrasonic meter assembly including electronics and transducers with the hoist rings. The only exception is that it is safe to lift the meter with one ASME B16.5 or ASME B16.47 blind flange bolted to each end flange of the meter. NEVER use the hoist rings on the meter to lift other components such as meter tubes, piping or fittings attached to the meter. Doing so will exceed the load rating of the hoist rings.
13. Remove the hoist rings from the meter after lifting is completed and store them in an appropriate case or container per their manufacturer's recommendation.
14. Apply heavy lubricant or anti-seize to the threads of the plug bolts and reinstall the plug bolts to keep the tapped holes free of debris and to prevent corrosion.

## Obtain safety engineered swivel hoist rings

A list of approved manufacturers of safety engineered hoist rings is below:

- American Drill Bushing Company ([www.americandrillbushing.com](http://www.americandrillbushing.com))
- Carr Lane Manufacturing Company ([www.carrlane.com](http://www.carrlane.com))

Select an approved supplier from the list below. These vendors can supply the safetyengineered hoist rings. This is not intended to be a complete list.

- Fastenal ([www.fastenal.com](http://www.fastenal.com))
- Reid Supply (<http://www.reidsupply.com>)

The appropriate hoist rings can also be purchased directly from Daniel. The following table provides part number for reference:

**Table 2-2: Hoist ring part number lookup table**

Daniel part number <sup>(1)</sup>	Hoist ring thread size & load rating <sup>(1)</sup>	American Drill Bushing Co. P/N <sup>(1)</sup>	Carr Lane Manufacturing Co. P/N <sup>(1)</sup>
1-504-90-091	3/8"-16UNC, 1000 lb	23053	CL-1000-SHR-1
1-504-90-092	1/2"-13UNC, 2500 lb	23301	CL-23301-SHR-1
1-504-90-093	3/4"-10UNC, 5000 lb	23007	CL-5000-SHR-1
1-504-90-094	1"-8UNC, 10000 lb	23105	CL-10000-SHR-1
1-504-90-095	1-1/2"-6UNC, 24000 lb	23202	CL-24000-SHR-1

*(1) The part numbers include only one hoist ring. Two hoist rings are required per meter.*

## Size needed for engineered swivel hoist ring

To determine the size of the hoist rings required for your meter, use the table below for the 3814 Liquid Ultrasonic Meter. The part number shown in [Table 2-3](#) is appropriately rated for the ANSI rating of your meter.

**Table 2-3: Hoist ring lookup table for Daniel 3814 Liquid Ultrasonic Flow Meters**

ANSI 300	ANSI 600	ANSI 900	ANSI 1500	Daniel Part Number
4" to 10"	4" to 8"	4" to 8"	4" to 6"	1-504-90-091
12" to 18"	10" to 16"	10" to 12"	8" to 10"	1-504-90-092
20" to 24"	18" to 20"	16" to 20"	12"	1-504-90-093
30" to 36"	24" to 30"	24"	16" to 20"	1-504-90-094
	36"	30" to 36"	24" to 36"	1-504-90-095
<b>Note</b>				
4" to 6" 45 degree meters and 8" to 36" 60 degree meters				

## 2.4.2 Use of appropriately rated lifting slings

The following instructions are intended to provide general guidelines for proper lifting slings of the Daniel 3814 Ultrasonic meter by itself. These instructions are intended to be followed in addition to your company's standards or the DOE-STD-1090-2004 Hoisting and Rigging standard if such company standards do not exist.

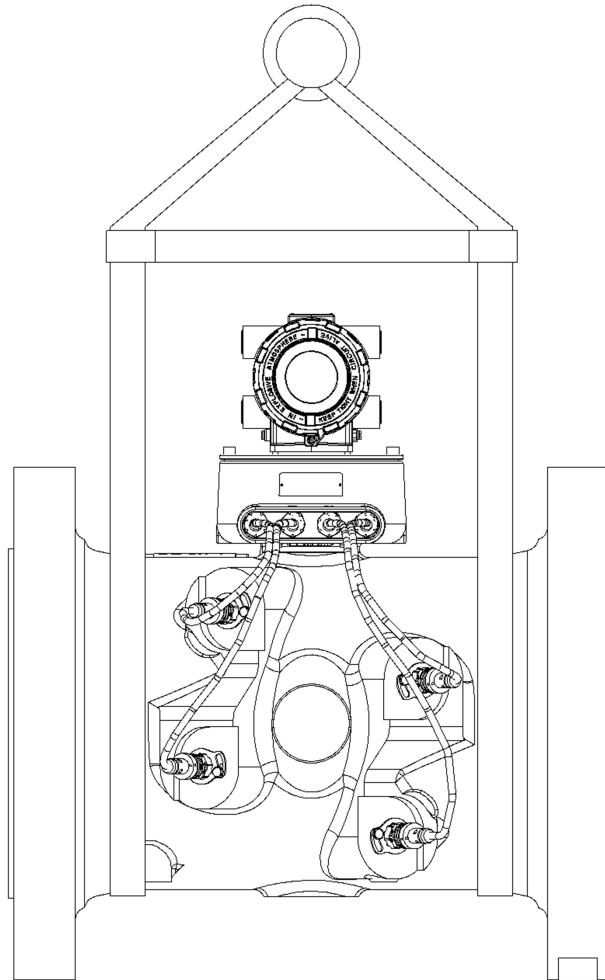
### **Safety precautions using appropriate rated lifting slings**

#### **Procedure**

1. Meters must only be lifted by personnel properly trained in the safe practices of rigging and lifting.
2. NEVER attempt to lift the meter by wrapping slings around the electronics enclosure.
3. NEVER attempt to lift the meter using only one sling around the meter. Always use two slings wrapped around each end of the body as shown below. A choker style sling is recommended.



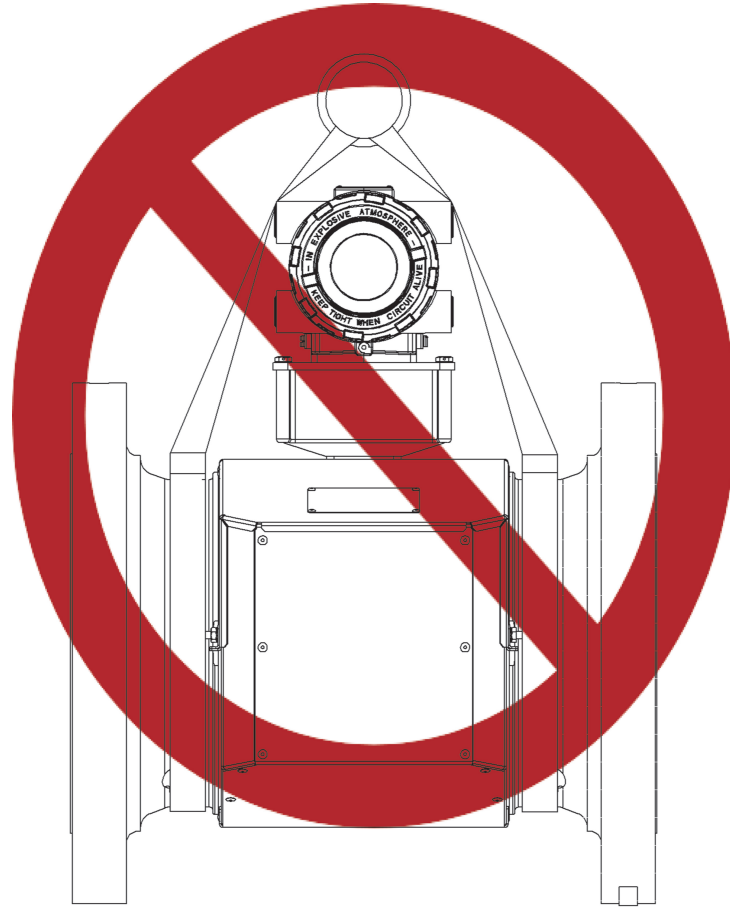
**Figure 2-10: Correct sling attachment**



4. Visually inspect the slings prior to use for any signs of abrasion or other damage. Refer to the sling manufacturer's procedures for proper inspection of the particular sling you are using.
5. Only use slings with ratings that exceed the weight to be lifted. Reference your company's standards for safety factors that must be included when calculating the load rating.
6. NEVER allow the slings to contact the electronics enclosure or the transducer cabling. Damage to the meter may occur. If the slings do come in contact with the electronics enclosure, then remove the two bolts holding the enclosure to its base and temporarily remove the head from the meter during the lifting operation (remove the two bolts holding the enclosure to its base and unplug the cable from the Acquisition Module. Two screws hold this cable in place.) Use a spreader-bar on the sling to prevent contact with the electronics. Once the lifting operation is complete, reattach and secure the electronics cable to J3 on the Acquisition Module, return the electronics enclosure to its original position, replace the bolts, and secure the enclosure in place. Lifting the meter with the upper enclosure

installed but with out the bolts installed, may cause the electronics to fall and cause personal injury or electronics damage.

**Figure 2-11: Incorrect sling attachment**



7. NEVER apply shock loads to the meter. Always lift the meter gradually. If shock loading ever occurs, the slings must be inspected per manufacturer's procedures prior to being placed in any further service.

## 2.5 Mounting requirements in heated or cooled pipelines

The ambient operating temperature of the Daniel 3814 Liquid Ultrasonic Flow Meter electronics (i.e. Flameproof enclosure and Intrinsically safe base enclosure) is  $-40^{\circ}\text{C}$  ( $-40^{\circ}\text{F}$ ) to  $+60^{\circ}\text{C}$  ( $+140^{\circ}\text{F}$ ). If the meter is installed into a pipeline which is heated or cooled outside this temperature range it is necessary to remove the electronics housing from the meter body (i.e. Spool piece acting as process fluid conduit) and mount it next to the meter body on a pipe stand or other rigid structure.

Extended length transducer cables (P/N 1-360-01-601, 15 ft. long) shall be used to connect the Daniel 3814 Liquid Ultrasonic Flow Meter electronics to the transducers

installed in the meter body. The process temperature must also not exceed the operating temperature range of the transducers. LT-01 and LT-03 transducers have an operating range from -50 °C (-58 °F) to +100 °C (+212 °F).

For process fluid temperatures up to 150 °C, the high temperature extended length transducer cables (P/N 1-360-01-800) shall be used to connect the Daniel 3814 Liquid Ultrasonic Flow Meter electronics to the transducers installed in the meter body. The process temperature for LT-04, LT-05, LT-08 and LT-09 transducers must also not exceed the operating temperature range of the transducers -50 °C (-58 °F) to +150 °C (+302 °F).

**CAUTION****SURFACE TEMPERATURE HAZARD**

The meter body and piping may be extremely hot or cold. Wear appropriate personal protective equipment when coming in contact with the meter.

Failure to comply may result in injury.



## 3 Electrical Installation

### 3.1 Cable length TTL mode

The maximum cable length is 2000 feet when the “TTL” mode is selected.

### 3.2 Cable length Open Collector mode

For the “open collector” mode, the maximum cable length depends on the cable parameters, pull-up resistance used, the maximum frequency to output, and frequency input parameters being driven. The following table provides estimated cable lengths for different pull-up resistor values and different Max Frequency settings in the meter using the following cable parameters. The table also provides an estimated cable voltage drop which indicates how much voltage will be across the cabling and effectively indicates to what voltage level the frequency input can be pulled down to by the frequency output.

If the voltage drop is higher than the voltage required for the frequency input to see a low state, then the configuration will most likely not work for your system. Performance of frequency outputs will vary from this table with setup and frequency input being driven.

**Table 3-1: Configurations for open collector frequency outputs**

Cable	Cable resistance	Cable	Pull-up resistance	Total	Maximum frequency	Sink	Cable voltage drop
Length	(2 Conductor s)	Capacitan ce	Resistance	Resistance	Frequency	Current	(2 Conductor s)
(x1000ft)	Ω	nF	Ω	Ω	(Hz)	(A)	VDC
0.5	16.8	10.00	1000	1016.8	5000	0.024	0.397
1	33.6	20.00	1000	1033.6	1000	0.023	0.780
2	67.2	40.00	1000	1067.2	1000	0.022	1.511
4	134.4	80.00	1000	1134.4	1000	0.021	2.843
0.5	16.8	10.00	500	516.8	5000	0.046	0.780
1	33.6	20.00	500	533.6	5000	0.045	1.511
1.7	57.12	34.00	500	557.12	5000	0.043	2.461
6.5	218.4	130.00	500	718.4	1000	0.033	7.296

The 22 AWG wire characteristics are as follows:

- Capacitance = 20 pF/ft or 20 nF/1000 ft (between two wires)
- Resistance = 0.0168 Ohms/ft or 16.8 Ohms/1000 ft
- Pull-up voltage is 24 VDC

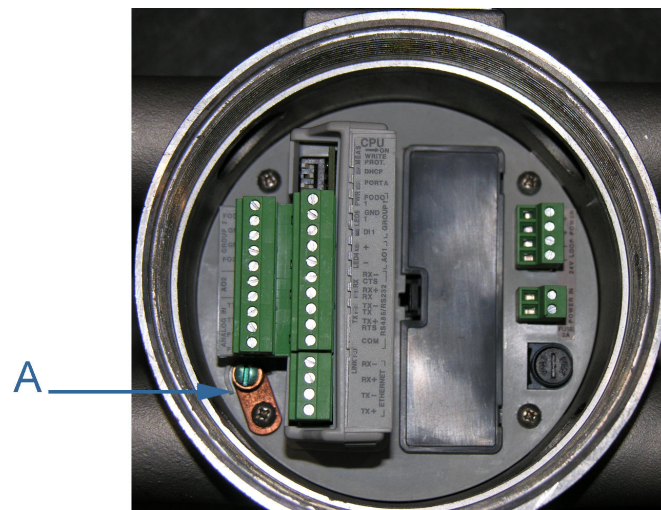
### 3.3 Grounding meter electronics

Daniel 3814 Liquid Ultrasonic Flow Meter electronics should be internally grounded for intrinsically safe operations. Connect a wire to the chassis ground lug installed inside the Transmitter Electronics Enclosure as the primary ground.

**NOTICE**

The internal grounding terminal shall be used as the primary equipment ground. The external terminal is only a supplemental bonding connection where local authorities permit or require such a connection.

**Figure 3-1: Internal Transmitter Electronics Enclosure chassis ground**



A. Transmitter Electronics Enclosure internal ground lug

**Figure 3-2: External ground lug**



A. External ground lug

## 3.4 Conduit seals

Daniel 3814 Liquid Ultrasonic Meters require conduit seals for installations in hazardous environments. Adhere to safety instructions to protect personnel and equipment.

 **WARNING**

HAZARDOUS VOLTAGE INSIDE

Do not open the Transmitter Electronics Enclosure when an explosive gas atmosphere is present. Disconnect equipment from supply circuit before opening.

Failure to remove power may result in death or serious injury.

 **WARNING**

EXPLOSION HAZARD

Substitution of components may impair intrinsic safety. Do not disconnect equipment unless power has been removed or the area is known to be nonhazardous.

Failure to comply may result in death or serious injury.

### 3.4.1 Startup for systems using explosion-proof conduit

#### Procedure

1. Assemble conduit to the Transmitter Electronics Enclosure. A conduit seal is required within 18 inches (457 mm) of the enclosure.
2. Check to make certain that all power to field wiring is turned **OFF**.

 **WARNING**

HAZARDOUS VOLTAGE INSIDE

Do not open in flammable gas area. Disconnect all power to the meter.

Failure to comply can result in death or serious injury.

3. Remove the end cap nearest the conduit entry to gain access to the transmitter electronics.
4. Pull the wires.
5. Complete the field connection wiring according to the system wiring diagram (see [Appendix A](#)).
6. Apply electrical power to the system to ensure the field connections are working correctly. Allow the system to run for the time specified by the customer (usually one week) and an electrician have fully tested the connections. After the Acceptance Test is witnessed and approved, seal the conduit.
7. Power down the system and apply the sealing compound to the conduit and allow to set in accordance with manufacturer specifications.
8. If required, install the security latches and wire seals on the Transmitter Electronics Enclosure end caps (see [Sealing the Transmitter Electronics Enclosure](#) and see [Figure 3-9](#)).

9. If required, install the wire seals through the socket head bolts on the Base Enclosure (see [Sealing the Transmitter Electronics Enclosure](#)).
10. Connect electrical power to the system.
11. Set or configure the meter using Daniel MeterLink. For additional installation information refer to the system wiring diagram (see [Appendix A](#)), *Daniel MeterLink Software for Gas and Liquid Ultrasonic Meters Quick Start Manual* (P/N 3-9000-763). Use the Daniel MeterLink Field Setup Wizard to complete the configuration. Also see, [Field Setup Wizard using Daniel MeterLink](#) in this manual.

## 3.4.2 Startup for systems using flame-proof cable



### **WARNING**

#### **HAZARDOUS VOLTAGE INSIDE**

Do not open the Transmitter Electronics Enclosure when an explosive gas atmosphere is present. Disconnect equipment from supply circuit before opening.

Failure to remove power may result in death or serious injury.

#### **Procedure**

1. Check to make certain that all field wiring power is turned **OFF**.
2. Remove the end cap nearest the cable entries to gain access to the transmitter electronics.
3. Install the cable and cable gland.
4. Complete the field connection wiring.
5. Connect a flow computer to the communications line on the Daniel 3814 Liquid Ultrasonic Flow Meter.
6. Apply electrical power to the system to ensure the field connections are working correctly. Allow the system to run for the time specified by the customer (usually one week) and an electrician have fully tested the connections. After the Acceptance Test is witnessed and approved, seal the conduit.
7. Connect electrical power to the system.
8. If required, install the security latches and wire seals on the Transmitter Electronics Enclosure end caps .
9. Install the wire seals on the Base Enclosure hex head bolts and on the Shroud covering the meter body (see [Base Enclosure Security Seals](#)).
10. Ensure the safety latches are installed on the Transmitter Electronics Enclosure.
11. Set or configure the software using Daniel MeterLink. For additional installation information refer to the system wiring diagram (see [Appendix A](#)), *Daniel MeterLink Software for Gas and Liquid Quick Start Manual* (P/N 3-9000-763). Use the Daniel MeterLink Field Setup Wizard to complete the meter configuration. Also see, [Field Setup Wizard using Daniel MeterLink](#) in this manual.



## 3.5 Wiring and I/O

Daniel MeterLink uses the TCP/IP protocol to communicate with the 960-24™ MST5 electronics instead of Modbus ASCII or RTU. The TCP/IP protocol only works across either Ethernet, RS-485 full duplex (i.e., 4-wire), or RS-232. Daniel MeterLink can communicate with multiple meters if they are multi-dropped using 4-wire full duplex RS-485 mode. The meter electronics is HART capable and provides communication flexibility with Daniel 3814 Liquid Ultrasonic Flow Meters.

The HART® output provides communication with other field devices (e.g., 475/375 Field Communicator and AMS™ Device Manager software) and ultimately, communicates key diagnostic information through PlantWeb® architecture.

### NOTICE

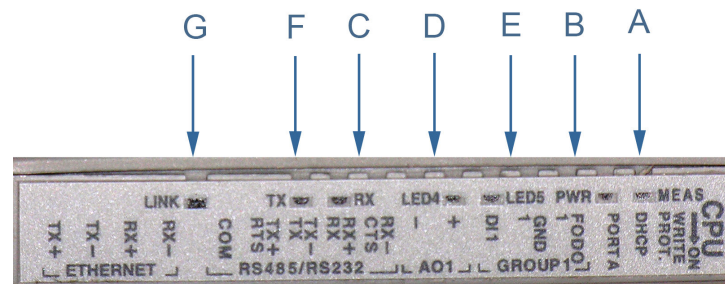
If not using Ethernet, a full duplex serial connection is necessary for Daniel MeterLink to communicate with a Daniel 3814 Liquid Ultrasonic Meter.

The Daniel 3810 Series Ultrasonic Flow Meter electronics auto-detects the protocol used and automatically switches between TCP/IP, Modbus ASCII, and Modbus RTU so it is not necessary to make any meter configuration changes to change the protocol.

### 3.5.1 CPU Module labeling and LED indicators

The meter's metrology mode and the status of the data transfer from the Acquisition Module to the CPU Module is indicated via light-emitting diode (LED) status indicators. The Write PROT. switch prevents overwriting the meter's configuration.

**Figure 3-3: CPU Module labeling and LED indicators**



- A. Acquisition/Measurement mode
- B. Power
- C. RX (RS-485/RS-232) - receiving data
- D. LED 4 - not used
- E. LED 5 - not used
- F. TX (RS-485/RS-232) - transmitting data
- G. Link (Eth1 Link) - user Ethernet connection

**Table 3-2: CPU Module labeling and LED functions**

CPU Module labeling and LED functions	Function	Switch position indicator or LED
WRITE PROT.	<ul style="list-style-type: none"> <li>• Write-protect mode - with switch in the ON position (default setting) protects configuration and firmware overwrites.</li> <li>• To write configuration changes or download firmware to the meter change the switch to the OFF position</li> </ul>	Switch position <ul style="list-style-type: none"> <li>• ON - (default setting) enables writeprotection of the configuration and firmware</li> <li>• OFF - enables writing configuration changes or downloading firmware</li> </ul>
DHCP	<ul style="list-style-type: none"> <li>• Dynamic Host Protocol Server - enables you to communicate with a Daniel meter that is not connected to a network.</li> <li>• When the CPU Module switch is in the ON position, the meter is enabled to act as a DHCP server for a single DHCP client connected to the Ethernet port using a crossover cable. This should be used for peer to peer connections only.</li> <li>• When the connection is made, select to use the Meter Name in the meter instead of the Meter Directory Name in order to keep all log files and configurations separate from each meter.</li> </ul>	Switch position <ul style="list-style-type: none"> <li>• ON - the meter is enabled to act as a DHCP server for a single DHCP client</li> <li>• OFF - disables the DHCP server</li> </ul>

**Table 3-2: CPU Module labeling and LED functions (continued)**

CPU Module labeling and LED functions	Function	Switch position indicator or LED
PORT A	<ul style="list-style-type: none"> <li>• PORT A override - RS-232 serves as an override during meter commissioning to establish communications and in the event the user cannot communicate with the meter due to an inadvertent communication configuration change. The override period is for two minutes</li> <li>• Supports:               <ul style="list-style-type: none"> <li>— auto-detected ASCII (Start bit 1, Data Bit 7, Parity Odd/Even, Stop Bit 1)</li> <li>— RTU (Start Bit 1, Data Bit 8, Parity none, Stop Bit 1).</li> <li>— Modbus protocols</li> </ul> </li> <li>• RS-232 Baud rate=19,200</li> <li>• Modbus ID=32</li> </ul>	Switch position <ul style="list-style-type: none"> <li>• ON - enables RS-232 PORT A override</li> <li>• OFF - (default setting) disables RS-232 PORT A</li> </ul>
MEAS	System color indicates metrology mode <ul style="list-style-type: none"> <li>• Acquisition mode</li> <li>• Measurement mode</li> </ul>	LED status <ul style="list-style-type: none"> <li>• Red flashing LED</li> <li>• Solid red the Acquisition Module not communicating with the CPU Module</li> <li>• Green flashing LED</li> </ul>
PWR	<ul style="list-style-type: none"> <li>• 3.3V Power Indicator</li> </ul>	<ul style="list-style-type: none"> <li>• Solid Green</li> </ul>
LED 4	<ul style="list-style-type: none"> <li>• Not used</li> </ul>	
LED 5	<ul style="list-style-type: none"> <li>• Not used</li> </ul>	
RX	<ul style="list-style-type: none"> <li>• RX signal (Port A for RS485 or RS232 communication) receiving data</li> </ul>	<ul style="list-style-type: none"> <li>• Flashing green (when receiving data)</li> </ul>
TX	<ul style="list-style-type: none"> <li>• TX signal (Port A for RS485 or RS232 communication) transmitting data</li> </ul>	<ul style="list-style-type: none"> <li>• Flashing green (when transmitting data)</li> </ul>
LINK	<ul style="list-style-type: none"> <li>• ETH1Link user Ethernet connection</li> </ul>	<ul style="list-style-type: none"> <li>• Solid green</li> </ul>

## Ethernet communications

The Ethernet port IP address, subnet mask, and gateway address are software-configurable. In addition, a meter can be configured to act as a DHCP (Dynamic Host Configuration Protocol) server to assign an IP address to a PC or laptop running Daniel MeterLink. The DHCP server facility is not intended to act as a general purpose DHCP server for a wider network. To this end, no user control is provided over the class or range of IP addresses the unit provides. A standard twisted pair (Cat-5) cable should be used for Ethernet wiring.

It is strongly recommended that the meter be configured using an independent (off-network) single host. After configuration of the Daniel 3814 Liquid Ultrasonic Flow Meter, the DHCP option must be turned off if used on a LAN/WAN.

### CAUTION

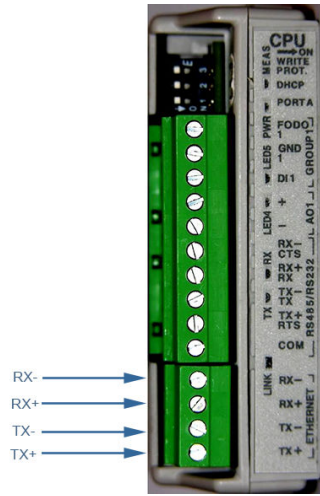
#### RESTRICT ETHERNET AND SERIAL CONNECTIVITY USAGE

User is responsible for ensuring that physical access and Ethernet or electronic access to the Daniel 3814 Liquid Ultrasonic Flow Meter is appropriately controlled and any necessary security precautions, such as, establishing a firewall, setting password permissions and/or implementing security levels.

Failure to restrict Ethernet and communication access to the Daniel 3814 Liquid Ultrasonic Flow Meter can result in, among other things, unauthorized access, system corruption, and/or data loss.

Use ethernet cable (Daniel P/N 1-360-01-596) to connect the PC to the meter.

**Table 3-3: Ethernet cable to PC communication**

Ethernet communication		
Wire color	CPU	
White w/Orange Stripe	TX+	
Orange w/White Stripe	TX -	
White w/Green Stripe	RX+	
Green w/White Stripe	RX -	

A DIN 41612 48-pin connector is the interface from the CPU Module to the CPU Module to the Field Connection Board (male end located on the back of the Field Connection Board).

## Serial connections

Use serial cable (Daniel P/N 3-2500-401) to connect to a PC running Daniel MeterLink. The cable is designed for RS-232 communications which is the serial Port A default configuration (see [Appendix A](#) field wiring diagram, Daniel Drawing DMC-004936). The DB-9 end of the cable plugs directly into the PC running Daniel MeterLink. The three wires on the other end of the cable connect to the CPU Module. The RED wire goes to RX, the WHITE wire goes to TX, and the BLACK wire goes to COM for the RS-485/RS-232 treenails ([Table 3-4](#) for Port A wiring).

When Belden wire No. 9940 or equivalent is used, the maximum cable length for RS-232 communications at 9600 bps is 88.3 meters (250 ft.) and the maximum cable length for RS-485 communication at 57600 bps is 600 meters (1970 ft.).

Port A supports a special override mode which forces the port to use known communication values (19200 baud, address 32, RS-232). Note that the protocol is auto-detected. This mode is expected to be used during meter commissioning (to establish initial communication) and in the event that the user cannot communicate with the meter (possibly due to an inadvertent communication configuration change). Alternately, when using Daniel MeterLink™ with an Ethernet port, use Ethernet cable (Daniel P/N 1-360-01-596) to connect the PC.

**Table 3-4: Serial Port A parameters**

Port/Communication	Description	Common features
Port A (Standard) <ul style="list-style-type: none"> <li>• RS-232</li> <li>• RS-485 Half Duplex</li> <li>• RS-485 Full Duplex</li> </ul>	<ul style="list-style-type: none"> <li>• Typically used for general communications with a flow computer, RTU (Modbus slave) and radios.</li> <li>• Special override mode to force port configuration to known settings.</li> <li>• Supports RTS/CTS handshaking with software-configurable RTS on/off delay times.</li> <li>• Factory default is RS-232, Address 32, 19200 baud.</li> </ul>	Communications via Daniel MeterLink using RS-232 or RS-485 Full Duplex <ul style="list-style-type: none"> <li>• Software configurable Modbus Address (1-247)</li> <li>• Auto-detects TCP/IP and ASCII or RTU Protocol               <ul style="list-style-type: none"> <li>— ASCII Protocol: Start Bits = 1, Data Bits=7<sup>(1)</sup></li> <li>— Parity: odd or even 1, Stop Bits = 1<sup>(1)</sup></li> <li>— Baud Rates: 1200, 2400, 9600, 19200, 38400, 57600, 115000 bps</li> <li>— RTU Protocol: Start Bits = 1, Data Bits = 8<sup>(1)</sup></li> <li>— Parity: none, Stop Bits = 1<sup>(1)</sup></li> <li>— Baud Rates: 1200, 2400, 9600, 19200, 38400, 57600, 115000 bps</li> </ul> </li> </ul>

**Table 3-4: Serial Port A parameters (continued)**

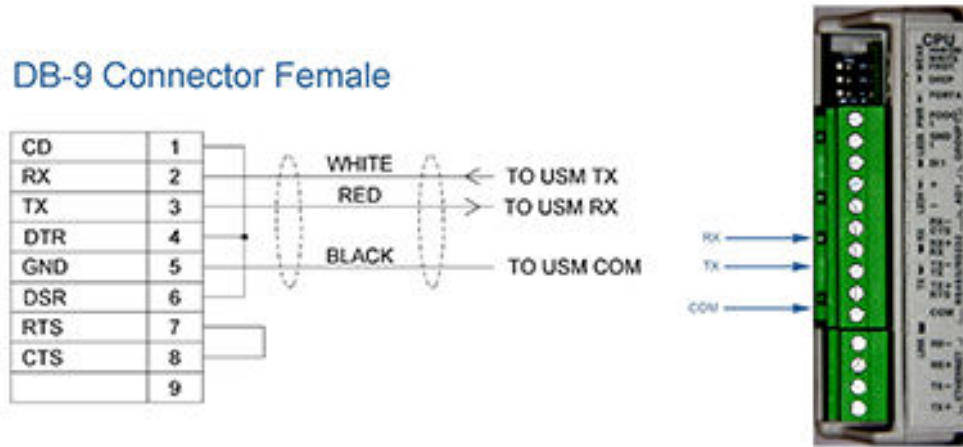
Port/Communication	Description	Common features
Ethernet	<ul style="list-style-type: none"> <li>Preferred port for diagnostic communication via Daniel MeterLink</li> <li>10 Mbps/100 Mbps</li> </ul>	<ul style="list-style-type: none"> <li>Modbus TCP/IP</li> </ul>

(1) Denotes auto-detected protocols

**NOTICE**

If not using Ethernet, a full duplex serial connection is necessary for Daniel MeterLink to communicate with a Daniel 3814 Liquid Ultrasonic Meter.

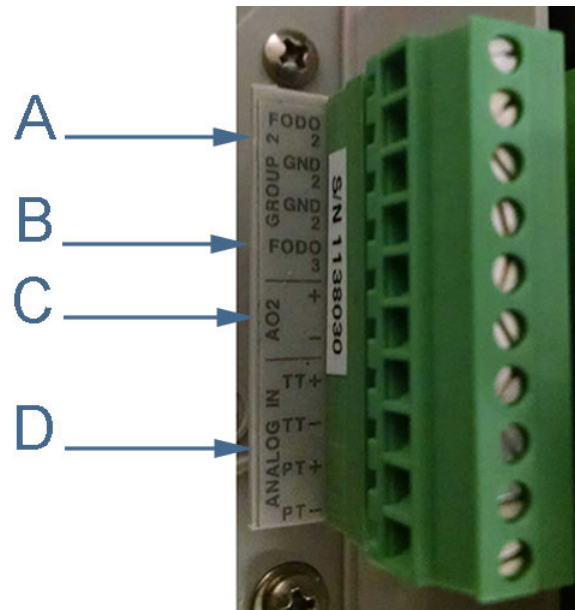
**Figure 3-4: PC to meter serial connection wiring**



## 3.6 Daniel Ultrasonic Meters I/O connections

The 960-24™ MSTS provides I/O connections on the CPU Module.

Figure 3-5: CPU Module I/O connections



- A. Frequency/Digital Output 2
- B. Frequency/Digital Output 3
- C. Analog Output 2 - 4-20mA output
- D. Analog Input - HART temperature and pressure connections

### 3.6.1 Frequency/Digital outputs

The meter has three user-configurable selections for configuring either a Frequency output or Digital output (FODO).

- FODO1 (eight possible parameter configurations) [Type 2] [Type 4]
- FODO2 (eight possible parameter configurations) [Type 2] [Type 4]
- FODO3 (eight possible parameter configurations) [Type 2] [Type 4]
- FODO4 (eight possible parameter configurations) [Type 4]
- FODO5 (eight possible parameter configurations) [Type 4]
- FODO6 (eight possible parameter configurations) [Type 4]

#### Frequency or Digital Outputs (FODO 1, FODO 6) source - Group 1

- FO1A, DO1A, FO1B, DO1B, FO2A, DO2A, FO2B, DO2B
- Frequency output 1A is the A Phase of Frequency output 1 content (Uncorrected volume flow rate, Corrected volume flow rate, Average flow velocity, Average speed of sound, Energy flow rate, Mass flow rate)
- Frequency output 1B is the B Phase of Frequency output 1
- Frequency output 2A is based on frequency content (Actual - Uncorrected Flow Rate)

- Frequency output 2B is based on frequency content and Frequency 2B Phase
- Digital output 1A is based on Digital output1A content (Frequency Output 1 Validity and Flow Direction)
- Digital output 1B is based on Digital output1B content (Frequency Output 1 Validity and Flow Direction)
- Digital output 2A is based on Digital output 2A content (Frequency Output 2 Validity and Flow Direction)

#### **Frequency or Digital Outputs (FODO 2, FODO 3, FODO 4, FODO5) source - Group 2**

- FO1A, DO1A, FO1B, DO1B, FO2A, DO2A, FO2B, DO2B
- Frequency output 1A is the A Phase of Frequency output 1 content (Uncorrected volume flow rate, Corrected volume flow rate, Average flow velocity, Average speed of sound, Energy flow rate, Mass flow rate)
- Frequency output 1B is the B Phase of Frequency output 1
- Frequency output 2A is the A Phase of Frequency output 2 content (Uncorrected volume flow rate, Corrected volume flow rate, Average flow velocity, Average speed of sound, Energy flow rate, Mass flow rate)
- Frequency output 2B is the B Phase of Frequency output 2 content
- Digital output 1A is based on Digital output1A content (Frequency Output 1 Validity and Flow Direction)
- Digital output 1B is based on Digital output1B content (Frequency Output 1 Validity and Flow Direction)
- Digital output 2A is based on Digital output 2A content (Frequency Output 2 Validity and Flow Direction)
- Digital output 2B is based on Digital output 2B content (Frequency Output 2 Validity and Flow Direction)

#### **Mode options**

- Open Collector (requires external excitation supply voltage and pull-up resistor)
- TTL (internally powered by the meter 0-5 VDC signal)

#### **Channel B Phase options**

- Lag forward, Lead reverse (Phase B lags Phase A while reporting forward flow, leads Phase A while reporting reverse flow)
- Lead forward, Lag reverse (Phase B leads Phase A while reporting forward flow, lags Phase A while reporting reverse flow)

#### **Phase A and Phase B output (based on flow direction)**

- Reverse flow - output only reports flow in the reverse direction. For frequency outputs, Phase B of the output is 90 degrees out of phase with Phase A.
- Forward flow - output only reports flow in the forward direction. For frequency outputs, Phase B of the output is 90 degrees out of phase with Phase A.



- Absolute - output reports flow in both directions. For frequency outputs, Phase B of the output is 90 degrees out of phase with Phase A.
- Bidirectional - output reports flow on Phase A only in the forward direction and on Phase B only in the reverse direction.

**Maximum frequency for the frequency outputs**

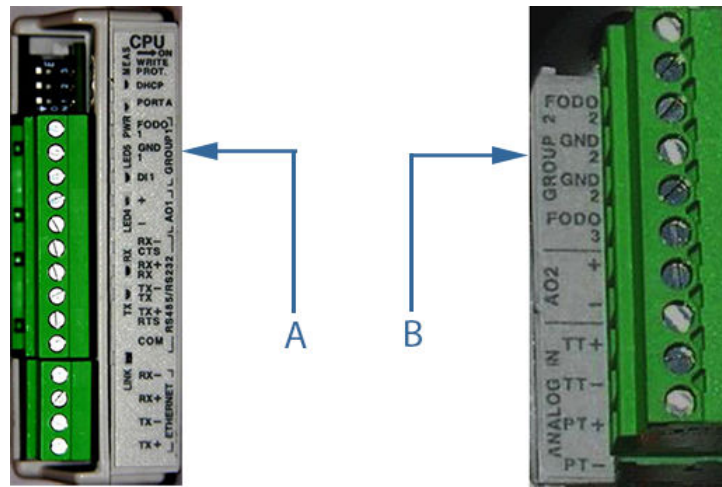
- 1000Hz
- 5000Hz

**Table 3-5: Frequency/Digital Outputs possible configurations**

Frequency/Digital output	Source configuration
Frequency /Digital Output 1 Frequency /Digital Output 2 Frequency /Digital Output 3 Frequency /Digital Output 4 Frequency /Digital Output 5 Frequency /Digital Output 6	<p>The diagram illustrates the source configurations for six frequency/digital outputs (FODO1-FODO6). A dashed box encloses the source labels: F01A, F01B, D01A, D01B, F02A, F02B, D02A, and D02B. Arrows indicate the following connections: FODO1 and FODO6 connect to F01A and F01B; FODO2 and FODO3 connect to D01A and D01B; FODO4 and FODO5 connect to F02A, F02B, D02A, and D02B.</p>
<ul style="list-style-type: none"> <li>• Frequency output 1A</li> <li>• Frequency output 1B</li> <li>• Digital output 1A</li> <li>• Digital output 1B</li> <li>• Frequency output 2A</li> <li>• Frequency output 2B</li> <li>• Digital output 2A</li> <li>• Digital output 2B</li> </ul>	

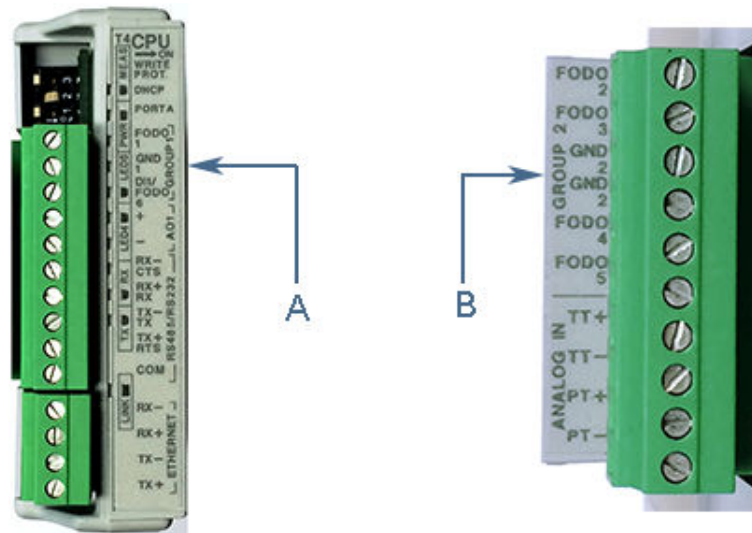
Output for FODO1 and Digital Output1 (Group 1 on the CPU Module) share a common ground and have 50V isolation. FODO2 and FODO3 (Group 2 on the CPU Module) share a common ground and have 50V isolation. This allows an output to be connected to a different flow computer. The outputs are opto-isolated from the CPU Module and have a withstand voltage of at least 500V rms dielectric.

Figure 3-6: CPU Module - Frequency/Digital inputs common ground - Type 2



- A. FODO1 and Digital input1 - shared common ground (Group 1)
- B. FODO2 and FODO3 - shared common ground (Group 2)

Figure 3-7: CPU Module - Frequency/Digital outputs common ground - Type 4



- A. FODO 1 and DI1/FODO6 - shared common ground - Type 4 CPU Module (Group1)
- B. FODO2, FODO3, FODO4 and FODO5 - shared common ground - Type 4 CPU Module (Group2)

### 3.6.2 Analog input settings

The The 960-24™ MSTs has the capability to sample analog temperature (Analog Input 1) and pressure (Analog Input 2) with 4-20 mA signals. These analog input signals are configured to sink. The two independent analog input circuits are configured for conventional 4-20 mA service. Also, 24VDC isolated power supply connection is provided

for an external power source. Refer to the Field wiring diagram DMC-004936 in [Appendix A](#).

### 3.6.3 Analog output settings

The 960-24™ MSTs provides two 4-20 mA analog output signals that are software configurable for either sink or source current (see [Engineering Drawings](#) drawing DMC-004936).

Full HART® functionality is provided so that any commercially available HART® transmitter which meets the specifications of the HART® Communications Foundation can be connected to the Daniel 3814 Liquid Ultrasonic Flow Meter.

Analog Output 2 (AO2) is user-configurable as a conventional 4-20 mA output.

### 3.6.4 Digital input

The 960-24™ MSTs provides one digital input that can be used as a general purpose input or used for synchronizing calibration (for flow calibration gating-contact closure). The meter records the volume seen between switch closures. The polarity of the input is configured as normal or inverted polarity.

- Polarity is determined by the **IsDI1ForCalActiveLow** and the gating edge is determined by the **IsDI1ForCalStateGated** (calibrate edge gated or calibrate state gated).
- Calibration is started via an inactive>active state change.

The digital input must be configured via the Daniel MeterLink **Tools** → **Edit/Compare Configuration** page.

### 3.6.5 DHCP server switch settings

The meter can be configured to act as a DHCP server. The DHCP server is enabled/disabled via CPU Module DHCP switch as follows:

**Table 3-6: DHCP server switch settings**

CPU Module switch	DHCP server disabled	DHCP server enabled
DHCP	OFF	ON

### 3.6.6 Configuration protect switch settings

The meter's configuration parameters and firmware can be protected against changes via CPU Module Write PROT. switch as follows:

**Table 3-7: Configuration protect switch settings**

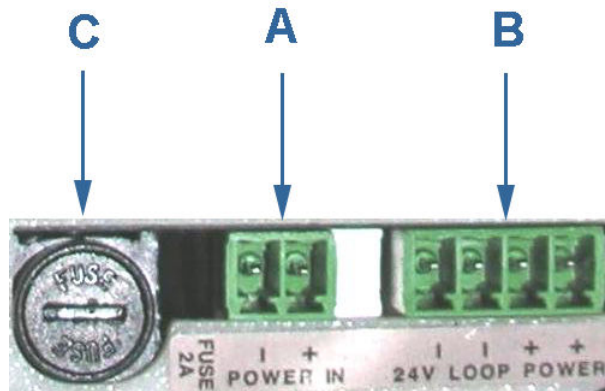
CPU Module switch	Configuration protected	Configuration unprotected
WRITE PROT.	ON (default)	OFF

A complete list of write-protected parameters is in [Appendix A](#).

### 3.6.7 External power source connection and fuse

Located inside the Transmitter Electronics Enclosure is a connector for a user-provided external power source, a 2 Ampere fuse and a 24V loop power connection for ultrasonic meter analog outputs, generator temperature or pressure transmitter devices. The current is limited to 88mA.

**Figure 3-8: CPU Module power source connections**



- A. Power In connector (main power)
- B. 24V Loop power
- C. 2 Ampere fuse (used for the main power input)

## 3.7 Security seal installation

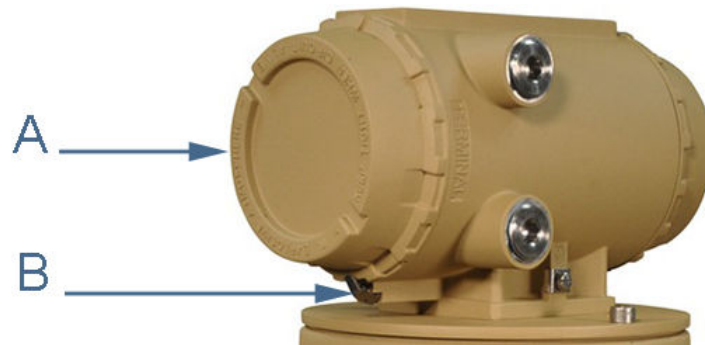
Security seals protect the integrity of the meter metrology and prevent tampering with transducer assemblies. The following sections detail how to properly seal the Daniel 3814 Liquid Ultrasonic Flow Meter after commissioning. The security seal wires are commercially available.

Be sure to set the WRITE PROT. switch on the CPU Module to the **ON** position prior to sealing the enclosure.

### 3.7.1 Sealing the Transmitter Electronics Enclosure

Use the following instructions to install the security seal wires on the Transmitter Electronics Enclosures.

**Figure 3-9: Transmitter electronic enclosure security latch**

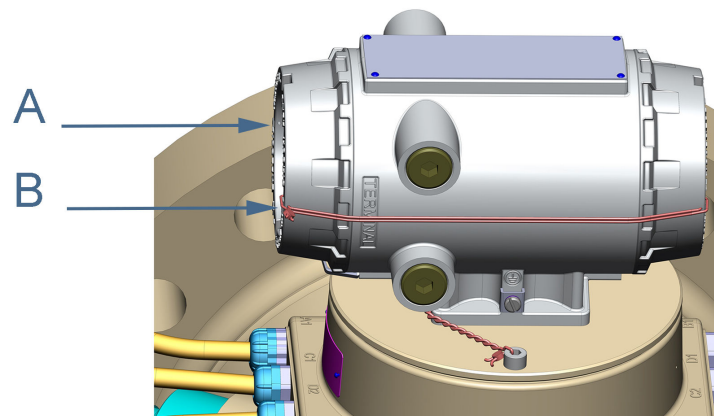


- A. Transmitter Electronics Enclosure end cap
- B. Security latch

**Procedure**

1. Rotate the end cap clockwise fully closing and compressing the end cap seal. Install the Security latch using a 3mm Allen wrench.
2. Install the security seal wire into and through one of the two holes in the end cap. Choose holes that minimize counterclockwise rotation of the end cap when the security wire is taut (maximum wire diameter .078 inch; 2.0mm).

**Figure 3-10: Transmitter Electronics Enclosure security seal installation**



- A. Transmitter Electronics Enclosure end cap
- B. Security wire seals

3. Adjust the security wire, removing all slack and thread into the lead seal.
4. Cut wire ends to remove excess wire.

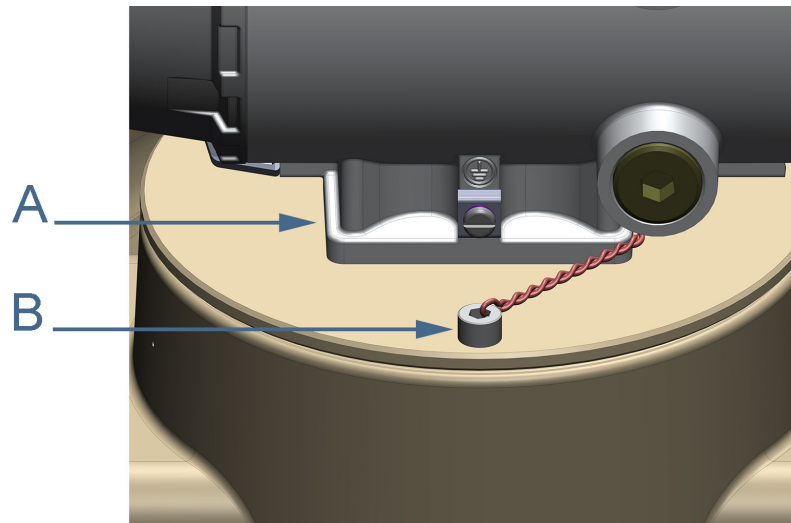
### 3.7.2 Base enclosure security seals

Use the following instructions to install the security seal wire on the Base Enclosure.

### Procedure

1. Install security wire seal into and through two of the four the holes in the socket head screws on the Base Enclosure cover (maximum wire diameter .078 inch; 2.0mm).

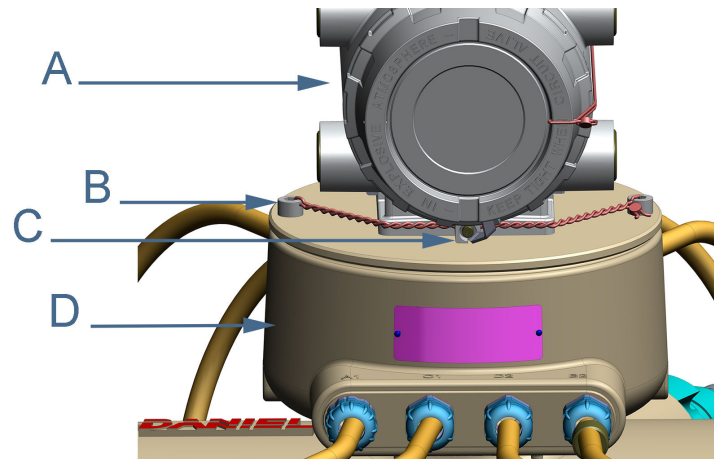
**Figure 3-11: Base Enclosure security seals**



- A. Base Enclosure
- B. Security wire seals

2. Position the wire to prevent counterclockwise rotation of the screws when the seal wire is taut.
3. Feed the security wire beneath the Transmitter Electronics Enclosure and through the adjacent socket head screw. Twist the wire, removing all slack and seal.

Figure 3-12: Base Enclosure security seals



- A. Transmitter Electronics Enclosure
- B. Security wire seals
- C. Transmitter Electronics endcap security latch
- D. Base Enclosure

4. Cut wire ends to remove excess wire.  
This completes Base Enclosure security seal installation procedure.

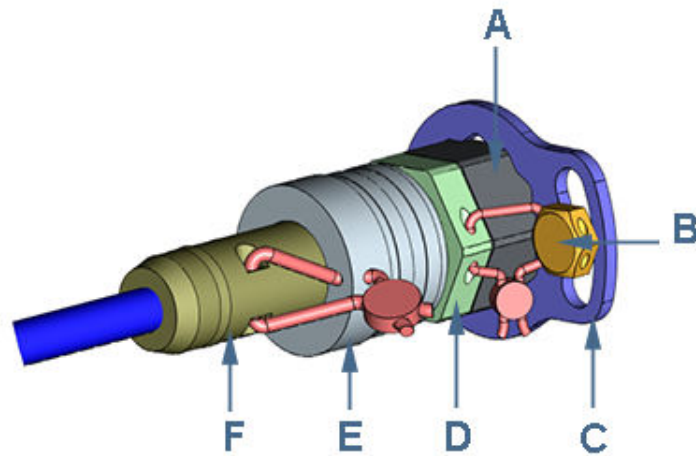
### 3.7.3 Transducer assembly security seal

Use the following instructions and Figure 3-13 to install the security seal wire on the transducer assembly.

#### Procedure

1. For each Transducer Assembly, install a security seal wire into and through one of the two holes of the Locking Ring bolt (Item C) and through one of the two holes in the Transducer Retainer (Item D). Choose holes that minimize counterclockwise rotation of the Locking Ring bolt and the Transducer Retainer when security wire is taut (maximum wire diameter 0.06 inch; 1.5mm).
2. For each Transducer Assembly, insert a security seal wire into one of the two holes in the transducer cable connector (Item F) and feed through one of the two holes in the transducer cable nut (item E).
3. Adjust the security wire, removing all slack and thread into the lead seal.
4. Cut wire ends to remove excess wire.

Figure 3-13: Transducer assembly security wire seals



- A. Transducer Housing
- B. Transducer Housing Locking Ring Screw
- C. Transducer Housing Locking Ring Bolt
- D. Transducer Retainer
- E. Transducer cable nut
- F. Transducer cable connector

## 3.8 Sealing the unit

The unit should be properly sealed with a sealing compound after electrical connections have been tested according to the customer's Best Practices schedule. Some areas require a witnessed Acceptance Test for the installed system and require that the meter run for a predetermined length of time (approximately one to two weeks) before the unit is sealed. This allows time to verify all electrical connections are correct, that the meter is accurately measuring flow and that the meter meets the customer's installation requirements. See [Section 3.4.1](#) and [Section 3.4.2](#).



# 4 Configuration

After the mechanical and electrical installation is complete and connectivity is established, use the *Daniel MeterLink Software for Gas and Liquid Ultrasonic Meters Quick Start Manual* (P/N 3-9000-763) to setup initial communications with the meter.

## 4.1 Daniel MeterLink setup

### Procedure

1. Review the software operating system, hardware and peripheral requirements.
2. Follow the installation instructions for your operating system (Windows® 7, Windows® 8, or Windows® 10).
3. Configure a direct connection driver for first time modem configuration for Daniel MeterLink communications.
4. Select the **Daniel MeterLink** desktop icon and complete the information in the Registration Wizard. This wizard will appear when you first run Daniel MeterLink and will provide you the following options.

Options
Register by e-mail <ul style="list-style-type: none"><li>• Select this option and click <b>Next</b> to register by e-mail. Your machine must be connected to the Internet and have a default mail utility (i.e. Microsoft® Office Outlook®, Outlook® Express, etc.) configured to use this option.</li></ul>
Register by phone <ul style="list-style-type: none"><li>• Select this option to register by phone. After clicking <b>Next</b>, a page will display with phone numbers to dial.</li></ul>
Register later (remind me) <ul style="list-style-type: none"><li>• Select this option if you do not wish to register now, but would still like the wizard to appear the next time you run MeterLink.</li></ul>
Register later using the <b>Help</b> → <b>Register Program</b> menu item (don't remind me). <ul style="list-style-type: none"><li>• Select this option if you do not wish to register now and do not want this wizard to appear the next time you run MeterLink. You can still register at a later time by selecting Register Program from the Help menu</li></ul>

5. Select **File** → **Program Settings** and customize the user-preferences (e.g. User name, Company name, display units, Liquid Meter volume units and other interface settings).
6. Connect to your meter. If your meter is not shown in the list, select **Edit Meter Directory** and setup the connections properties.
7. Run the **Field Setup Wizard**.

## 4.1.1 Field Setup Wizard using Daniel MeterLink

### Procedure

1. Use the **Field Setup Wizard-Startup** and select the checkboxes that allow proper configuration for your meter (Temperature, Pressure, Meter Corrections, and Meter Outputs).

Selections on this page will affect other configuration selections. Select **Next** to continue to General setup.

2. Use **General setup** to configure the meter's system units (U.S Customary or Metric units) volume units, flow rate time, low flow cutoff, contract hour and enable reverse flow.

Select **Next** to continue to Frequency Outputs.

---

#### Note

The Meter's Units system configured on the General Page affect the units for the optional Local Display items.

---

3. Set the Frequency/Digital Outputs Sources for either a frequency output or a digital status. Select the Source for each Frequency/Digital output and select the desired drive Mode. The Mode options are Open Collector which requires an external excitation voltage and pull-up resistor or TTL mode which outputs a 0-5 VDC signal.

---

#### Note

Frequency outputs 1 and Digital outputs 1 are paired together meaning the Digital outputs 1 will report the status for the parameter for Frequency outputs 1. Similarly, Frequency outputs 2 and Digital outputs 2 are paired together. Additionally, each Frequency output has an A and B output phase.

---

4. Configure Frequency output 1 and Frequency output 2 content (Daniel Liquid Ultrasonic Meters content is Uncorrected flow rate), flow direction, Channel B phase, maximum frequency output (Hertz) and Full scale volumetric flow rate..  
Select **Next** to continue to Meter Digital Outputs.
5. Select the Meter Digital Output parameters for Digital output 1A, Digital output 1B, Digital output 2A and Digital output 2B based on Frequency validity or flow direction..  
if the output of the ultrasonic meter is reversed from what a flow computer is expecting, select Inverted Operation. This changes the digital output from a HIGH for a TRUE condition to output a LOW for a TRUE condition. Select **Next** to continue to Current Outputs.
6. Current Outputs are based on Uncorrected (Actual) flow rate content, flow direction (Forward, Reverse or Absolute) and Full scale volumetric flow rate used with output (20mA maximum). Alarm action parameters determines the state the output will drive during an alarm condition (High 20mA, Low - 4 mA, Hold last value, Very low - 3.5, Very high 20.5 mA or None).  
Select **Next** to continue to HART<sup>®</sup> Output(s).
7. HART<sup>®</sup> Output parameters include four Dynamic process variables (Primary, Secondary, Third and Fourth variable. The Primary variable is set to match the

Content set for Current output 1. If a second current output is available, the Secondary variable is set to match the Content set for Current output 1) Identification and HART® units (volume units, Flow rate time units, Velocity units, Pressure and Temperature units).

Click **Next** to continue to the Temperature and Pressure page.

8. Set the temperature and pressure scaling for analog inputs, enter fixed values, and set alarm limits for both. The alarm limit selections are hold last output value or use fixed value..
  - Live temperature selections include minimum and maximum inputs or fixed temperature.
  - Live pressure selections include minimum and maximum inputs, gage (atmospheric pressure), absolute, or fixed pressure. Click **Next** to continue to the Local Display page, if View local display setup was selected on the Startup page.

## 4.1.2 Display items

The valid labels, descriptions and units for the display items are shown below:

**Table 4-1: Local display labels, descriptions and valid units**

Local Display labels, descriptions and units	
QFLOW – Uncorrected volume flow rate	
	<ul style="list-style-type: none"> <li>• BBL – Barrels</li> <li>• GAL – Gallons</li> <li>• L – Liters</li> <li>• CM – Cubic Meters</li> <li>• MCM – Thousand Cubic Meters</li> </ul>
TDYVL – Current day’s forward uncorrected volume	
	<ul style="list-style-type: none"> <li>• +BBL – Barrels</li> <li>• +GAL – Gallons</li> <li>• +L – Liters</li> <li>• +CM – Cubic Meters</li> <li>• +MCM – Thousand Cubic Meters</li> </ul>
TDYVL – Current day’s reverse uncorrected volume	
	<ul style="list-style-type: none"> <li>• -BBL – Barrels</li> <li>• -GAL – Gallons</li> <li>• -L – Liters</li> <li>• -CM – Cubic Meters</li> <li>• -MCM – Thousand Cubic Meters</li> </ul>

**Table 4-1: Local display labels, descriptions and valid units (continued)**

<b>Local Display labels, descriptions and units</b>	
YSTVL – Previous day’s forward uncorrected volume	
	<ul style="list-style-type: none"> <li>• +BBL – Barrels</li> <li>• +GAL – Gallons</li> <li>• +L –Liters</li> <li>• +CM – Cubic Meters</li> <li>• +MCM – Thousand Cubic Meters</li> </ul>
YSTVL – Previous day’s reverse uncorrected volume	
	<ul style="list-style-type: none"> <li>• -BBL – Barrels</li> <li>• -GAL – Gallons</li> <li>• -L – Liters</li> <li>• -CM – Cubic Meters</li> <li>• -MCM – Thousand Cubic Meters</li> </ul>
TOTVL – Forward uncorrected volume	
	<ul style="list-style-type: none"> <li>• +BBL – Barrels</li> <li>• +GAL – Gallons</li> <li>• +L – Liters</li> <li>• +CM – Cubic Meters</li> <li>• +MCM – Thousand Cubic Meters</li> </ul>
TOTVL – Reverse uncorrected volume	
	<ul style="list-style-type: none"> <li>• -BBL – Barrels</li> <li>• -GAL – Gallons</li> <li>• -L – Liters</li> <li>• -CM – Cubic Meters</li> <li>• -MCM – Thousand Cubic Meters</li> </ul>
VEL – Average flow velocity	
	<ul style="list-style-type: none"> <li>• Ft/S – Feet per second</li> <li>• M/S – Meters per second</li> </ul>
SOS – Average sound velocity	
	<ul style="list-style-type: none"> <li>• Ft/S – Feet per second</li> <li>• M/S – Meters per second</li> </ul>
TEMP – Flow-condition temperature	
	<ul style="list-style-type: none"> <li>• DEGF – Degrees Fahrenheit</li> <li>• DEGC – Degrees Celsius</li> </ul>

**Table 4-1: Local display labels, descriptions and valid units (continued)**

Local Display labels, descriptions and units	
PRESS — Flow-condition pressure	
	<ul style="list-style-type: none"> <li>• PSI – Pound per square inch</li> <li>• MPA – Megapascals</li> </ul>
FRQ1A — Frequency channel 1A	
	<ul style="list-style-type: none"> <li>• HZ – Hertz</li> </ul>
FRQ1B — Frequency channel 1B	
	<ul style="list-style-type: none"> <li>• HZ – Hertz</li> </ul>
KFCT1 — Frequency 1 K-factor	
	<ul style="list-style-type: none"> <li>• BBL – Barrels</li> <li>• GAL – Gallons</li> <li>• L – Liters</li> <li>• CM – Cubic Meters</li> <li>• MCM – Thousand Cubic Meters</li> </ul>
FRQ2A — Frequency channel 2A	
	<ul style="list-style-type: none"> <li>• HZ – Hertz</li> </ul>
FRQ2B — Frequency channel 2B	
	<ul style="list-style-type: none"> <li>• HZ – Hertz</li> </ul>
KFCT2 — Frequency 2 K-factor	
	<ul style="list-style-type: none"> <li>• BBL – Barrels</li> <li>• GAL – Gallons</li> <li>• L – Liters</li> <li>• CM – Cubic Meters</li> <li>• MCM – Thousand Cubic Meters</li> </ul>
AO1 — Analog Output 1 current	
	<ul style="list-style-type: none"> <li>• MA – Milliamperes</li> </ul>
AO2 — Analog Output 2 current	
	<ul style="list-style-type: none"> <li>• MA – Milliamperes</li> </ul>

**Note**

When connected to a meter with the optional local display, reverse flow direction is indicated with a minus sign (negative) before the value(s) shown on the display.

### 4.1.3 Display units

The Meter volume units displayed are either U.S. Customary or Metric. To modify the Display Units, configure the Meter units system in the **Field Setup Wizard** → **General Page**.

- U.S. Customary volume unit selections are:
  - Barrels
  - Gallons
- Metric volume unit selections are:
  - Cubic meters
  - Cubic liters
- Display units preceded by a plus or minus sign indicate forward and reverse flow direction.
- The Local Display Flow rate time units are modifiable by selecting the drop-down arrow and clicking the time unit in the list box.
- Valid flow rate time units selections are:
  - second
  - minute
  - hour
  - day

### 4.1.4 Scroll delay

The Scroll Delay is the time interval for the selected display items to be shown on the Local Display. The default scroll delay setting is five seconds. Click the spin box up or down arrow to increase or decrease the length of time an item displays.

#### Procedure

1. Select **Finish** to write the configuration settings to the meter.
2. Save the meter configuration file, collect a Maintenance log and Waveforms to document the “As Left” settings.

## 4.2 Using AMS Device Manager to configure the meter

This procedure assumes you have AMS Device Manager installed on the host computer and have downloaded the latest Daniel Liquid Ultrasonic Meter Device Description (DD).

If not installed, click the link below to download the AMS device installation tool kit.

<https://www.emerson.com/en-us/support/software-downloads-drivers>

## 4.2.1 Installing AMS Device Description

### Procedure

1. Use the link above to search for the Device Description (DD) for your Daniel 3810 Series Liquid Ultrasonic Flow Meter.
2. Use the pull-down menu and select the Brand/Manufacturer - Emerson Daniel Industries.
3. Next select the Device, Liquid 3810 Series from the pull-down menu.
4. Choose the Device Revision1, from the pull-down menu.
5. Next, select HART from the Communication Protocol menu.
6. Select AMS Device Manager for the Host System.
7. Select the Host System Revision 11.5.
8. Verify your search parameters are correct, as shown below.

**Figure 4-1: AMS Device Description search**

#### Search Device Install Kits

Brand/Manufacturer:  
Emerson Daniel Industries

Device:  
Liquid 3810 Series

Device Revision:  
1

Communication Protocol:  
HART

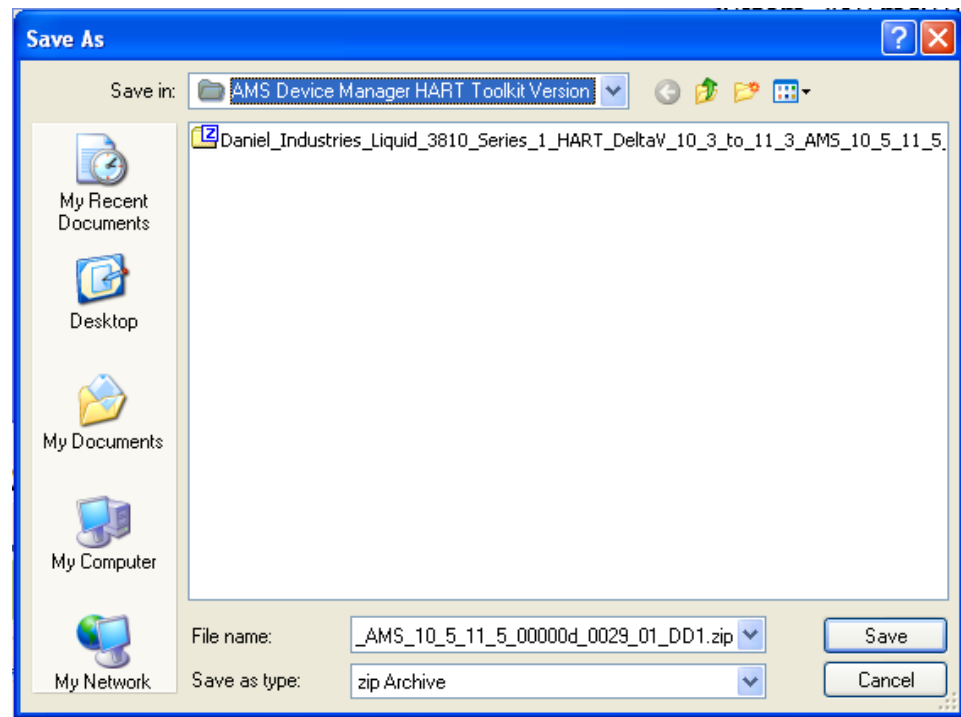
Host System:  
AMS Device Manager

Host System Revision:  
11.5

SEARCH NOW > [RESET SEARCH]

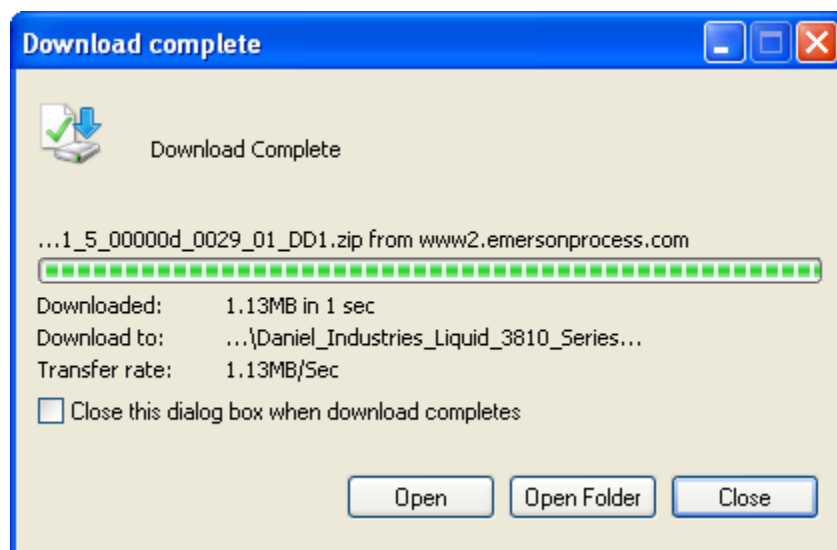
9. Click **Search Now**.
10. Click the Daniel Industries Liquid 3810 Series Rev 1 hyperlink. The file download dialog displays. Click the **Save** button to save the files to your host system. You may use the default download location or change the directory.

Figure 4-2: AMS file download options



11. Click the **Save** button to complete the file download.

Figure 4-3: AMS file download complete



12. Click **Open** or **Open Folder** to view the downloaded files.
13. Establish power to the meter and wiring to Analog Input 1 for HART communication.



14. Start the AMS Device Manager using a laptop or PC.
15. Enter login credentials and click **OK** to launch the application.
16. Click the **Configure** tab, and then select Guided Setup, Manual Setup or Alert Setup.

**Figure 4-4: AMS Device Manager**

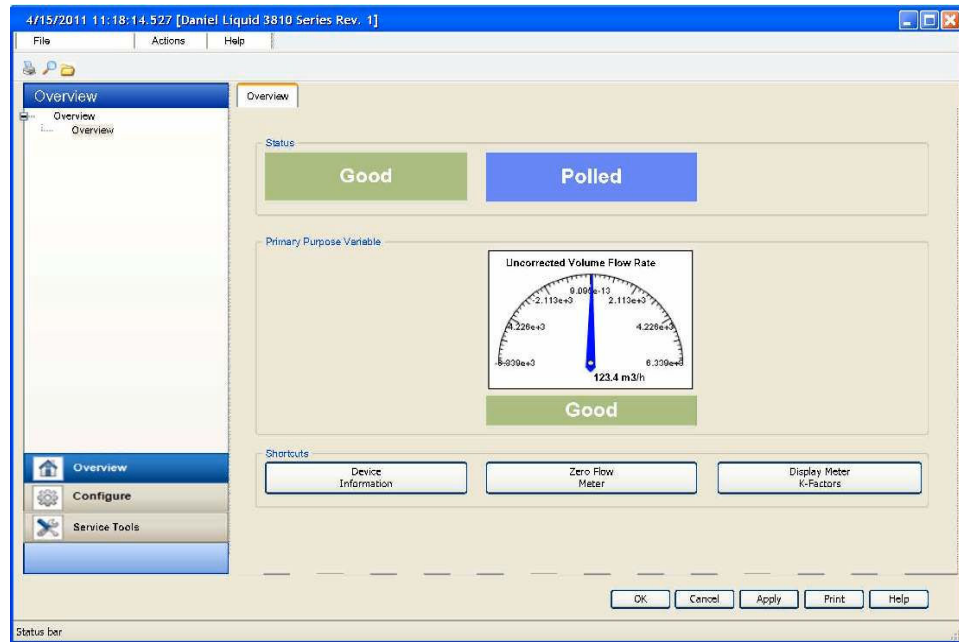
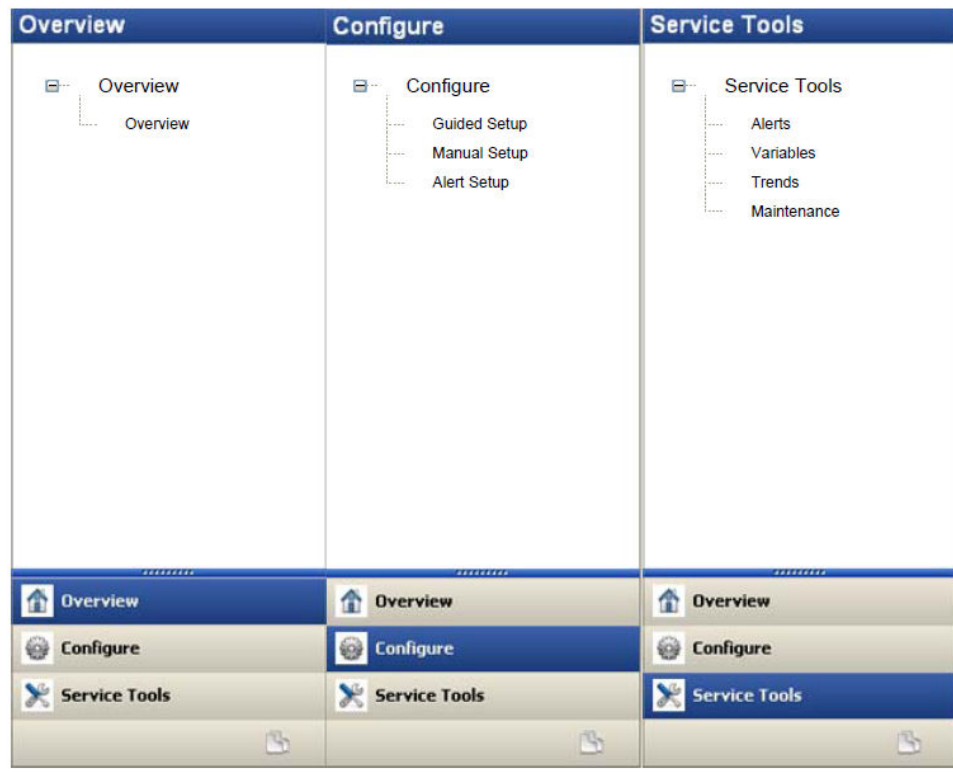


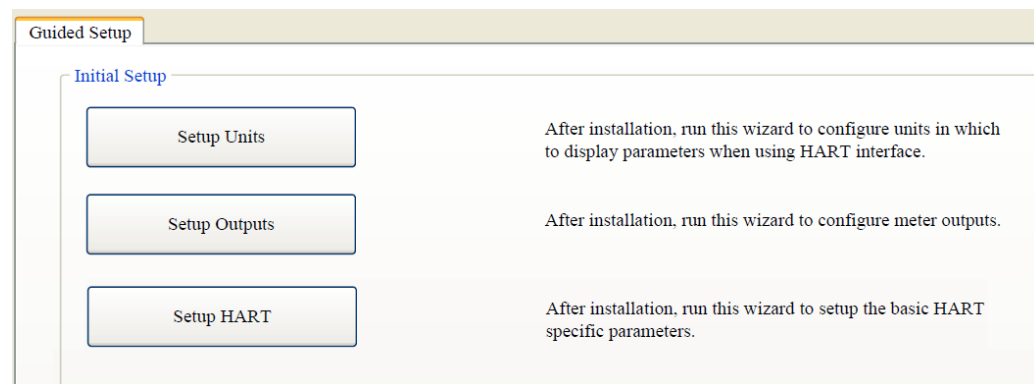
Figure 4-5: AMS Device Manager - Overview



## 4.2.2 AMS Device Manager - Guided Setup

The Guided setup wizard provides configuration parameter settings for the meter. The Guided Setup is a subset of the Manual Setup parameters.

Figure 4-6: AMS Device Manager - Guided Setup



### Note

Before writing configuration changes to your meter, make sure you have saved the Configuration file and Maintenance log.

## Procedure

1. Disable the Write Protect switch in the CPU Module to write any of the following configuration parameters to your meter.
2. Click the **Setup Units** tab to configure the system units (U.S. Customary or Metric units), Volume units, Flow rate time units, Velocity units, Pressure units and Temperature units. Click **Apply** to write the parameters to the meter.
3. Click the **Setup Outputs** tab to configure the Device Variables Mapping, Units, Frequency/Digital outputs, Frequency and Digital Outputs 1 and 2, Analog outputs, Digital Input, Pressure and Temperature.
  - a. **Analog output 1 (HART)** - Content (Primary Variable) displays Uncorrected Flow Rate and is a read only attribute). Configure Direction (flow), Lower Range value, Upper range value and Alarm Action and view the HART Parameters Tag, Date, Descriptor, Message, Final Assembly Number Poll Address, Number of Response Preambles.
  - b. **Analog Output 2** - Content (Secondary Variable) displays Uncorrected Flow Rate and has a read only attribute. Configure Direction (flow), Lower Range value, Upper range value and Alarm Action. Map the Third and Four variables using the Manual Setup wizard. Selections include Uncorrected Volume Flow Rate, Pressure and Temperature.
4. After all of the data shown below is entered, click **Apply** to write the parameters to the meter.
  - a) Click the **Frequency/Digital Outputs** tab to configure Frequency/Digital Output 1, 2 and 3 Source and drive Mode. Select the Source for each Frequency/Digital output and select the desired drive Mode. The Mode options are Open Collector which requires an external excitation voltage and pull-up resistor or TTL mode which outputs a 0-5 VDC signal (each Frequency output has an A and B output phase).

---

### Note

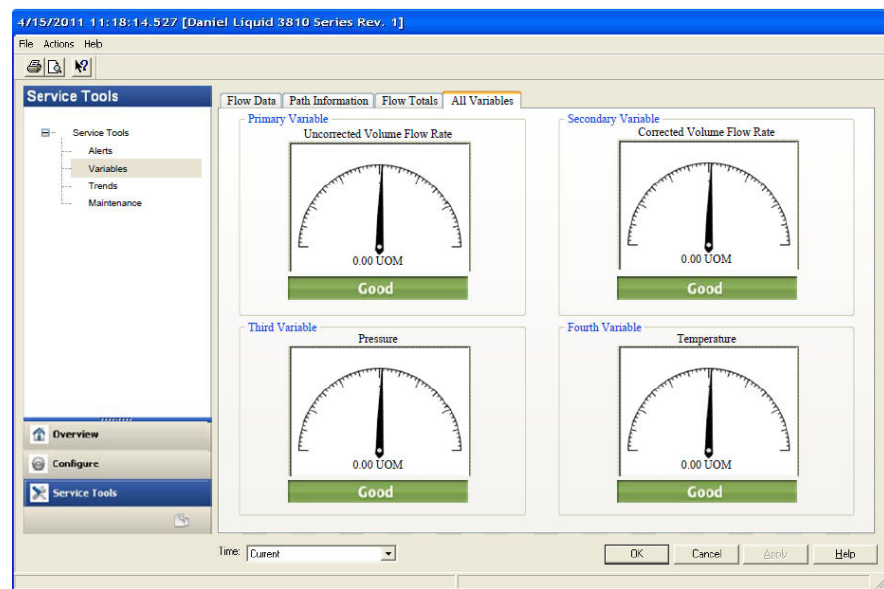
If changes are made to any Source variable on this page, apply the changes and navigate to the **Guided Setup** page. Navigate back to the **Manual Setup** for the changes to be reflected in other Manual Setup pages.

---

- b) Click the **Frequency and Digital Output 1** tab to configure the Content, (flow) Direction, Channel B Phase frequency output, Lag forward, Lead Reverse or Lead Forward, Lag Reverse (Phase B lags Phase A while reporting forward flow and lead Phase A while reporting reverse flow or the opposite), Digital Output 1 Channel A Content and Polarity, Channel B Content and Polarity, Maximum Frequency, and Lower and Upper Range Units of Measure.
    - c) Click the **Frequency and Digital Output 2** tab and repeat [Step 3](#) to configure Frequency and Digital Output 2 parameters.
5. Click **Setup HART** to configure the HART parameters (tag, date, descriptor, message text, Final Assembly number, Poll address and number of response preambles are displayed). After all of the data is entered click **Apply** to write the parameters to the meter.

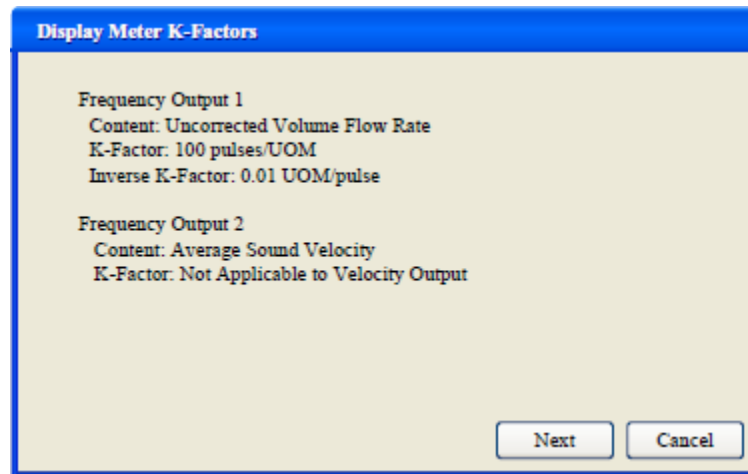
6. On the **Overview** page, click **Alert Setup** and select the **Flow Analysis** tab and enable Reverse Flow. Click the **OK** button to return to the **Overview** page.
7. On the **Overview** page, click the **Service Tools** tab and select the **Variables** tab. The Flow Data, Path Information, Flow Totals, and All Variables data is populated after you are connected to the meter.
  - a) Click the **Flow Data** tab and view the Flow Direction (Forward or Reverse), Average Flow and Average Sound Velocities values.
  - b) Click the **Path Information** tab and view the Chord performance, Gain, SNR (Signal to Noise Ratio) Signal strength (mV), and Noise (mV).
  - c) Click the **Flow Totals** tab to view the volume totals (forward and reverse uncorrected volume).
  - d) Click the **All Variables** tab to view a graphical display of the Primary, Secondary, Third and Fourth Variables.

**Figure 4-7: AMS Device Manager - Service Tools All Variables status indicators**



8. Click **OK** to return to the Overview page.
9. Enable the Write Protect switch on the CPU Module to protect the meter's configuration.
10. From the **Overview** window, click **Display Meter K-Factors**. K-Factors are a read-only values calculated from the Full scale volumetric flow rate used with frequency outputs and the Maximum frequency for frequency output.

Figure 4-8: Display Meter K-Factors

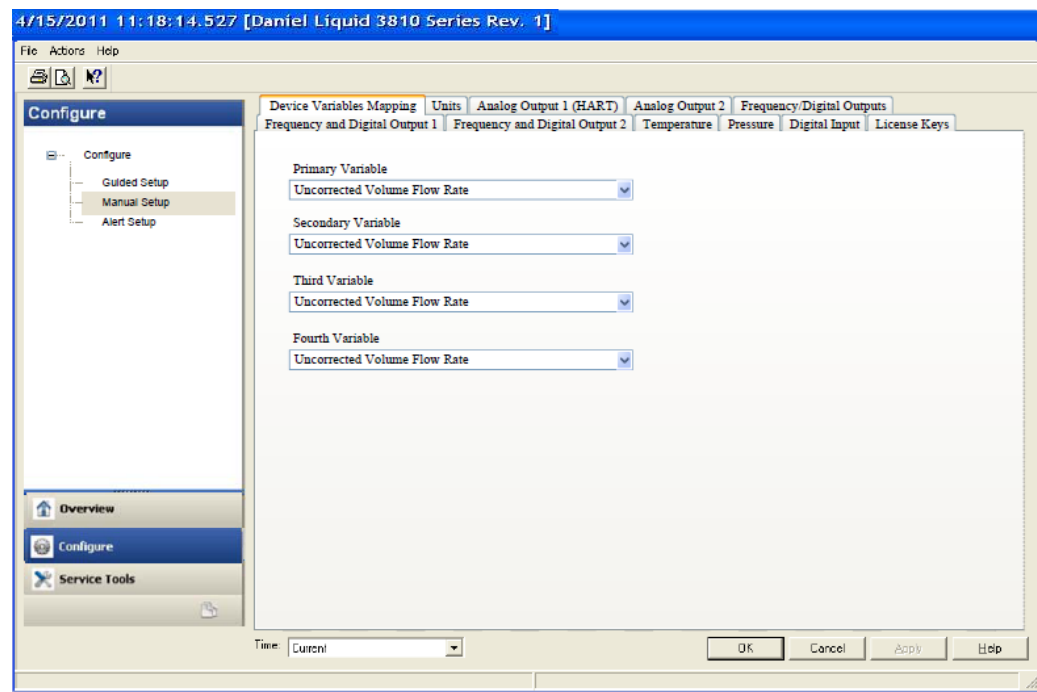


11. Click **Next** to return to the Device Manager Overview page.

### 4.2.3 AMS Device Manager - Manual Setup

Use the Manual Setup wizard to configure the meter's parameters. See [Figure 4-4](#) and [Figure 4-5](#) and from the AMS Device Manager Configure menu click **Manual Setup**.

Figure 4-9: AMS Device Manager - Configure Manual Setup



## Procedure

1. If installed, remove security wires from the endcap and the Bracket/Cover hex head bolts that secures the Base Enclosure.
2. Disable the Write Protect switch in the CPU Module to write any of the following configuration parameters to your meter.
3. Click the **Device Variables Mapping** tab. The Primary and Secondary variables are read only and are configured for Uncorrected Flow Rate. The Third and Fourth variable configuration choices include Pressure and Temperature.
4. Click the **Units** tab (see AMS Device Manager - Guided Setup, [Step 1](#)).
5. Click the **Analog Output 1 (HART)** tab (see AMS Device Manager - Guided Setup, [Step 3a](#)).
6. Click the **Analog Output 2** tab. Follow the configuration instructions in the AMS Device Manager - Guided Setup, [Step 3b](#). The read only Secondary variable Content, Uncorrected Flow Rate, displays. Use the drop-down arrow and select the (flow) Direction - Forward or Reverse. Enter a Lower and Upper Range limit. Set the Alarm Action parameters. Click **Apply**, after you enter the data to write the parameters to the meter.
7. Click the **Frequency/Digital Outputs** tab. Follow the configuration instructions in the AMS Device Manager - Guided Setup, [Step 4a](#)).

---

### Note

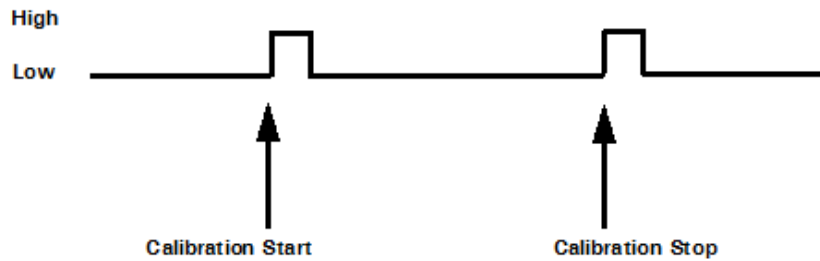
If changes are made to any Source variable on this page, apply the changes and navigate to the Guided Setup page. Navigate back to the Manual Setup for the changes to be reflected in other Manual Setup pages.

---

- a) Click **Apply**, after you enter the data to write the parameters to the meter.
8. Click the **Frequency and Digital Output 2** tab. Follow the instructions in the AMS Device Manager - Guided Setup, [Step 4c](#) to configure the Frequency and Digital Output 2 parameters. Click **Apply**, after you enter the data to write the parameters to the meter.
9. Click the **Temperature** tab. Configure the input parameters including: Source (Live Analog or Fixed), Min and Max input limits corresponding to 4 mA and 20 mA respectively and the Low and High alarm limits. Click **Apply**, after you enter the data to write the parameters to the meter.
10. Click the **Pressure** tab. Configure the input parameters including: Source (Live Analog or Fixed), Min and Max input limits corresponding to 4 mA and 20 mA respectively and the Low and High alarm limits. Select either **Gage** or **Absolute** for the type of pressure reading desired. If a live pressure transmitter is connected, select the type of reading the transmitter outputs. If **Absolute** is selected, you must also enter the Atmospheric pressure. Click **Apply**, after you enter the data to write the parameters to the meter.
11. Click the **Digital Input** tab. The default Digital Input 1 polarity is set to Normal for general purpose or set to Inverted when used for calibration. Click **Apply**, after you choose the calibration data to write the parameters to the meter.
  - a. Calibration Polarity configuration parameter selections are:
    - Digital Input 1 Calibrate Active High

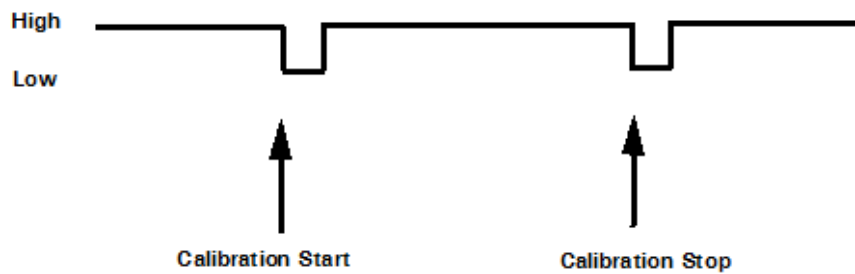
- Digital Input 1 Calibrate Active Low
- b. Calibration Gating configuration parameter selections are:
- Edge gated, active high

**Figure 4-10: Gating configuration parameter Edge gated, active high**



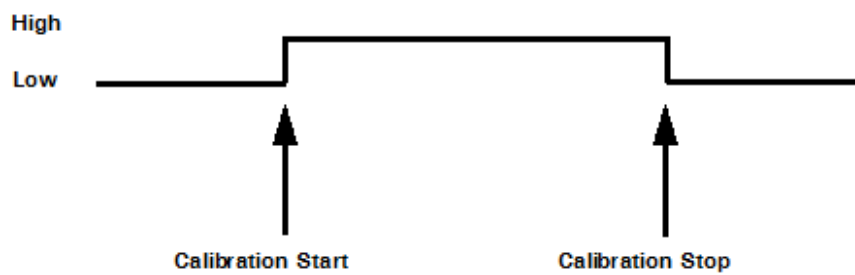
- Edge gated, active low

**Figure 4-11: Gating configuration parameter Edge gated, active low**



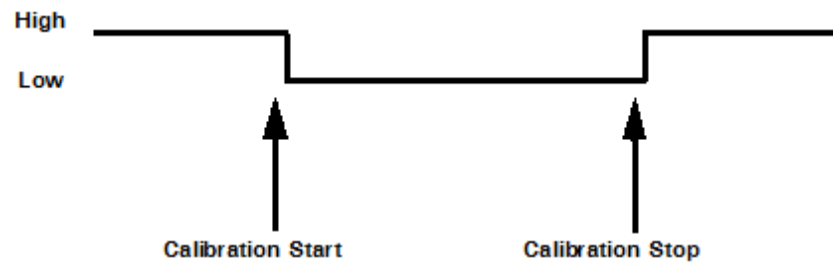
- State gated, active high

**Figure 4-12: Gating configuration parameter State gated, active high**



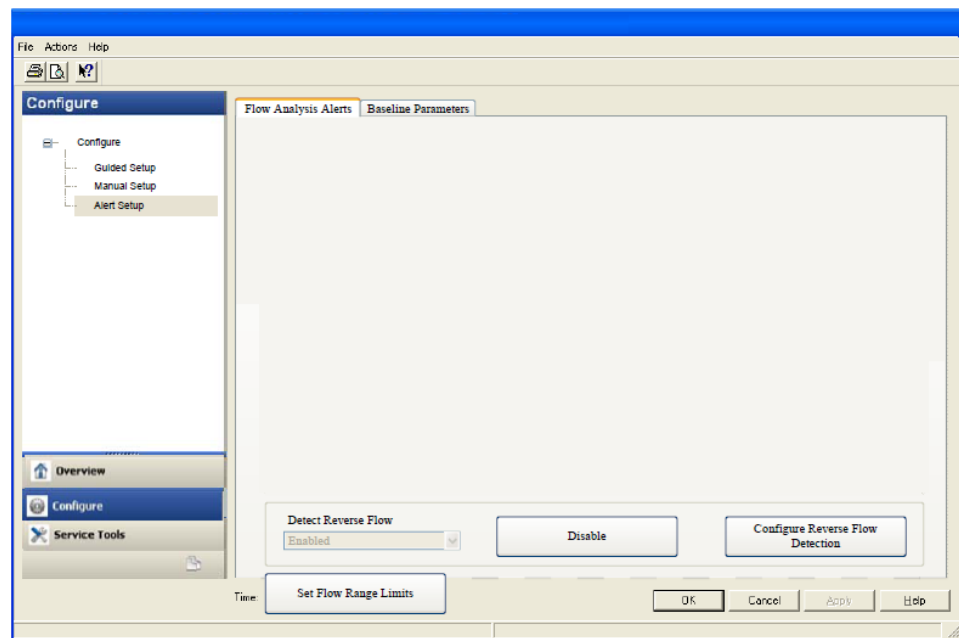
- State gated, active low

Figure 4-13: Gating configuration parameter State gated, active low



12. Click the **Alert Setup** tab (from the main Configuration page).

Figure 4-14: Configure Flow Analysis Alert

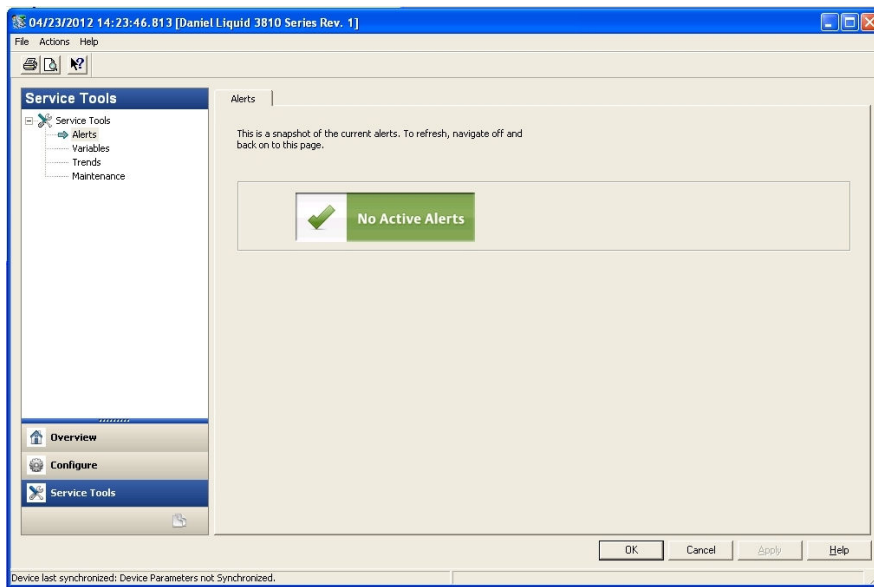


13. Click the **Flow Analysis** tab to select Configure Reverse Flow Detection, if desired. The default setting is **Disabled**. Click the **Disabled** button to send the feature command to the meter. Check for a response error. If no error response is received, click the **Enable** button.
  - a) Enter the minimum reverse flow velocity above which to accumulate flow in the reverse direction for this alert. Enter a positive value for the Reverse Flow Zero Cutoff. Click the **Next** button to write the values to the meter. Check for an error response. If no error response is received, click the **Next** button. The Detect Reverse Flow enabled page displays. Click the **Next** button to display Detect Reverse Flow disabled.
  - b) If an error message is returned, click the **Next** button to display the Method Complete page.



- c) Click the **Set Flow Range Limits** button and enter a positive value for the Flow Analysis Lower Velocity Range and the Upper Velocity Range Limits. When the velocity is outside of the limit parameters, an alert is triggered. Click the **Next** button to display the Method Complete page.
14. Click the **Service Tools** tab to access the device alerts, variables, trends and maintenance statuses or to edit the configuration parameters.
- a) Click the **Service Tools** → **Alerts** tab. If an alert condition exists, the alert type and description displays. Recommended actions are listed to assist you in a resolution. After you resolve the alert condition, click the **Acknowledge** button to clear the alert. Click **Apply** to write the changes to the meter. If no alert condition is active, click **OK** to close the device window.

**Figure 4-15: AMS Device Manager - Service Tools Alerts**



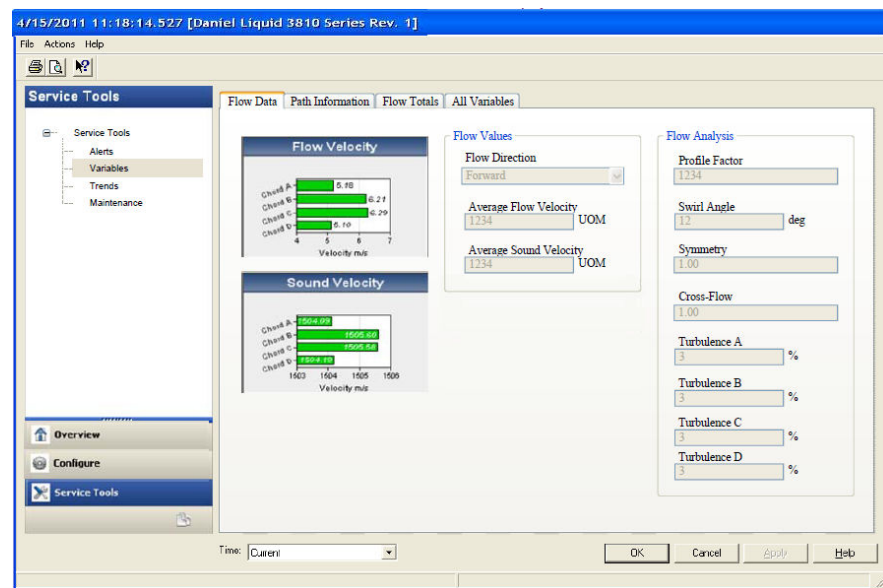
- b) If you change the device configuration, a confirmation dialog displays and prompts you to write the changes to the meter. Click **Yes** to write the changes to the meter or click **No** to cancel pending changes.

Figure 4-16: Configuration changes dialog



- c) Click the **Service Tools** → **Variables** tab. The Variables page displays tabs for the device's Flow Data, Path Information, Flow Totals, and All Variables.

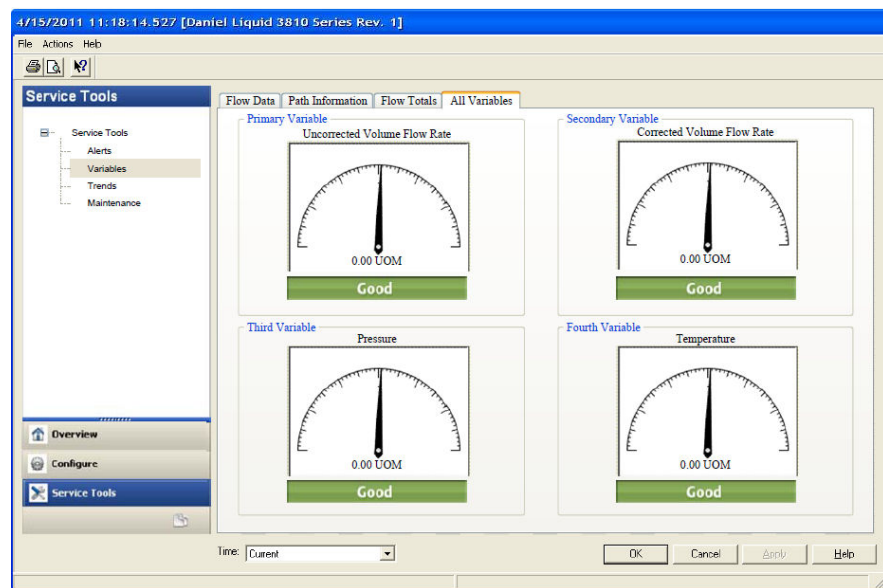
Figure 4-17: AMS Device Manager - Service Tools



- d) The **Service Tools** → **Flow Data** page includes charts for flow and sound velocities. The flow values (flow direction, average flow velocity and average sound velocity) parameters are displayed for the connected device.

- e) Click **Service Tools** → **Variables** → **Path Information** tab to view the device's chord performance (%), Gain (dB), SNR (dB), Signal (mV) and Noise (mV).
- f) Click **Service Tools** → **Variables** → **Flow Totals** to view the volume totals (Forward and reverse Uncorrected Volume) parameters for the connected device.
- g) Click **Service Tools** → **Variables** → **All Variables** tab to view Primary, Secondary, Third and Fourth Variable parameter status.

**Figure 4-18: AMS Device Manager - Service Tools All Variables**



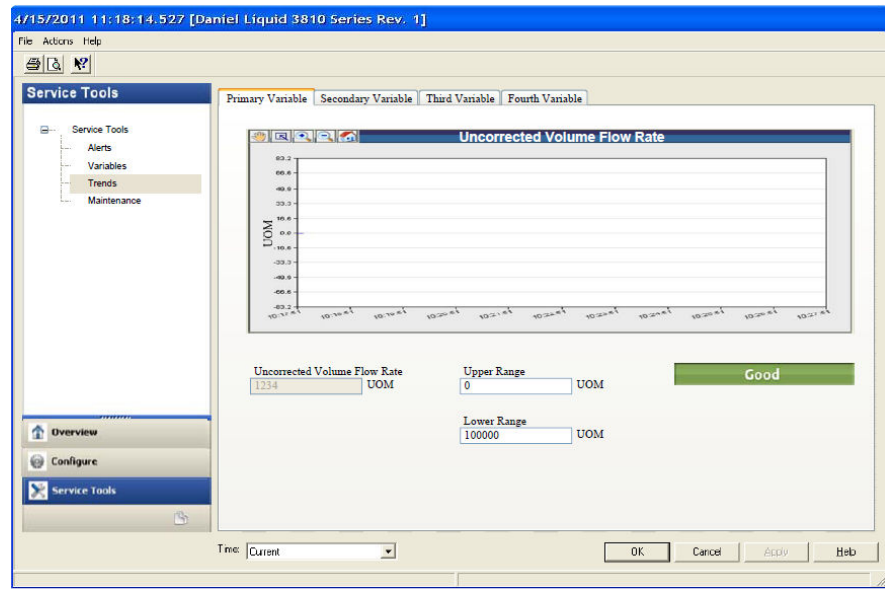
Gauges display each variable's status as good or bad. If a status is bad refer to the Service Tools Alerts page for recommended actions to resolve the alert condition. Also refer to the Field Device Specification manual (P/N 3-9000-762) for Commands 48 and 140 details.

### **Important**

Alerts are triggered for Command 48 Additional device status and Command 140 detailed status information. Alerts are grouped as Failed - Fix Now, Maintenance - Fix Soon and Advisory according to the severity level; 1-6. Severity 1 is the highest and 6 is the lowest level.

- h) Click the **Service Tools** → **Trends** tab to display the device variables (uncorrected volume flow rate, pressure and temperature) trends.

Figure 4-19: AMS Device Manager - Service Tools Trends



Primary and Secondary variables display real-time uncorrected volume flow rate trends. The third and fourth variables charts display trends for temperature and pressure.

15. Click the **Service Tools** → **Routine Maintenance** tab. Click **Analog Output 1 Trim** to perform a digital to analog trim adjustment of the first milliamper output. The 4mA and 20mA output current values should equal the plant's standard values.
  - a) Click **Yes** to confirm the configuration changes. Repeat this step to trim Analog Output 2 current.
  - b) Click **Apply** to write the output trim values to the meter.
  - c) Click **OK** to navigate back to the Service Tools page.
16. Click the **Service Tools** → **Zero Calibration** tab. See AMS Device Manager - Guided Setup [Step 7](#) to configure the zero flow parameters.
17. After you have changed and written the configuration changes to the meter do the following:
  - a) Enable the Write Protect switch on the CPU Module to protect the meter's configuration.
  - b) Replace the end cap and if required, apply security seals through the endcap holes and through the hex head bolts that secure the Bracket/Cover to the Base enclosure.

**Note**

The next time you connect to the device using Daniel MeterLink, the Monitor page displays a Meter status alarm that the configuration has changed and

remains latched until acknowledged. Click **Ack** (acknowledge) to clear the alarm.

---

## 4.3 Using a Field Communicator to configure the meter

---

### Important

Follow all guidelines and precautions described in the Field Communicator User Manual and in the 3814 Liquid Ultrasonic Flow Meter documentation when working in a hazardous area.

---

### Prerequisites

- Emerson Field Communicator software, license, installation guide and user manual available on the One Emerson website: <http://www.emerson.com/en-us/catalog/ams-475-field-communicator>
- Daniel HART Device Description (HART DD) installed for the meter
- Network configured for a Field Communicator
- 475 Field Communicator User's Manual available on the One Emerson website: <https://www.emerson.com/documents/automation/manuals-guides-user-s-manual-ams-en-104978.pdf>
- System wiring diagram drawing number DMC-004936 (see [Appendix A](#))
- Power supply

### Procedure

1. Remove electrical power to the meter. If installed, remove the endcap security latches and seals and then, remove the endcap.
2. Refer to the Field Communicator Users Manual wiring diagrams and commissioning instructions provided with your handheld device. Register the product to activate the end user license.
3. Fully charge the Field Communicator battery prior to use.

---

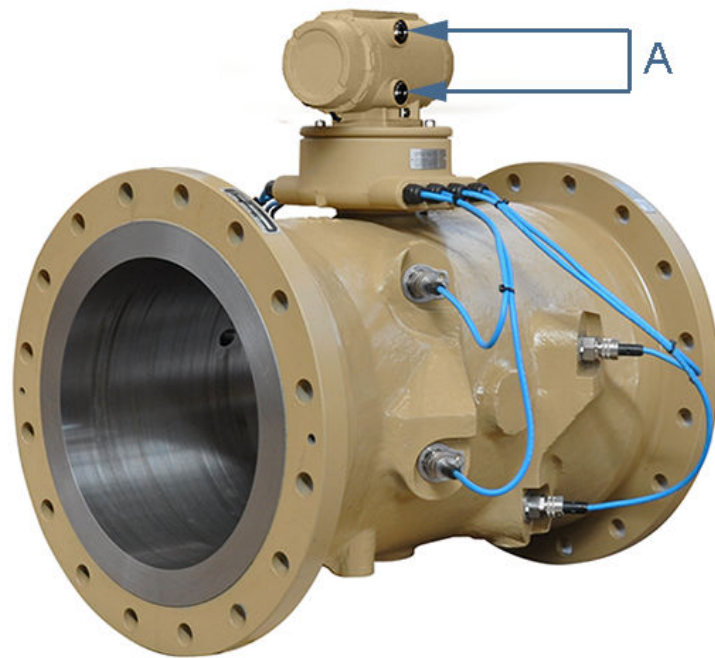
### Important

Do not change the battery in a hazardous area environment. The power supply is not intrinsically safe.

---

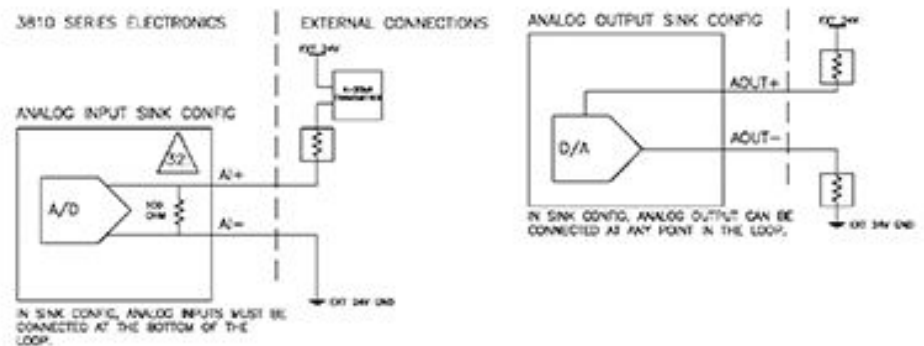
4. On the meter, run the wires through the field wiring conduit and into the transmitter electronics enclosure.

Figure 4-20: 3814 transmitter field wiring conduit entries



5. Wire Analog Input 1 (AI1) and Analog Output 1 (AO1) as shown in Figure 4-21.

Figure 4-21: Field Communicator wiring diagram for the Meter



6. Use the leads provided with the Field Communicator to connect to your device.
7. Press and hold the **Power** button on the Field Communicator until the green light blinks.
8. Use the touch screen on the Field Communicator, the keypad or use the stylus to navigate through the device menus.
9. Refer to the Menu tree in Section D.1.1 of the Daniel HART Field Device Specification manual (P/N 3-9000-762 CHECK THIS REFERENCE) for the device fast key sequences. Included in the menu tree are:
  - Diagram Page 1 - 3810 Series Root Menu; Overview, **Configure** → **Manual Setup**

- Diagram Page 2 - **Configure** → **Manual Setup** (continued) and **Alerts Setup**
  - Diagram Page 3 - **Service Tools** → **Alerts** and **Variables**
  - Diagram Page 4 - **Service Tools** → **Variables** (continued), **Service Tools** → **Trends**, and **Service Tools** → **Maintenance**
10. If you encounter problems, refer to the contact information on the back cover of this manual or the contacts included in the Field Communicator Users Manual.

## 4.4 Security seals for the meter

For the integrity of the meter metrology and to prevent tampering with the transmitter electronics and transducer assemblies, attach security latches on the end caps and install security wires on the Transmitter Electronics Enclosure end caps, the Bracket/Cover cap head screws. See [Sealing the Transmitter Electronics Enclosure](#) and [Base enclosure security seals](#).

Seal the conduit ports with sealing compound according to the customer's requirements (e.g., after approximately one to two weeks of run time). Also, see [Section 3.4.1](#).





# A Engineering Drawings

## A.1 Daniel 3814 Liquid Ultrasonic Flow Meter drawings

This appendix contains the following engineering drawing(s) for the ultrasonic meter:

DMC-004936	Daniel 3810 Series Liquid Ultrasonic Flow Meter System Wiring Diagram
------------	---

EXPLOSION PROOF  
TRANSMITTER  
ENCLOSURE  
ASSEMBLY

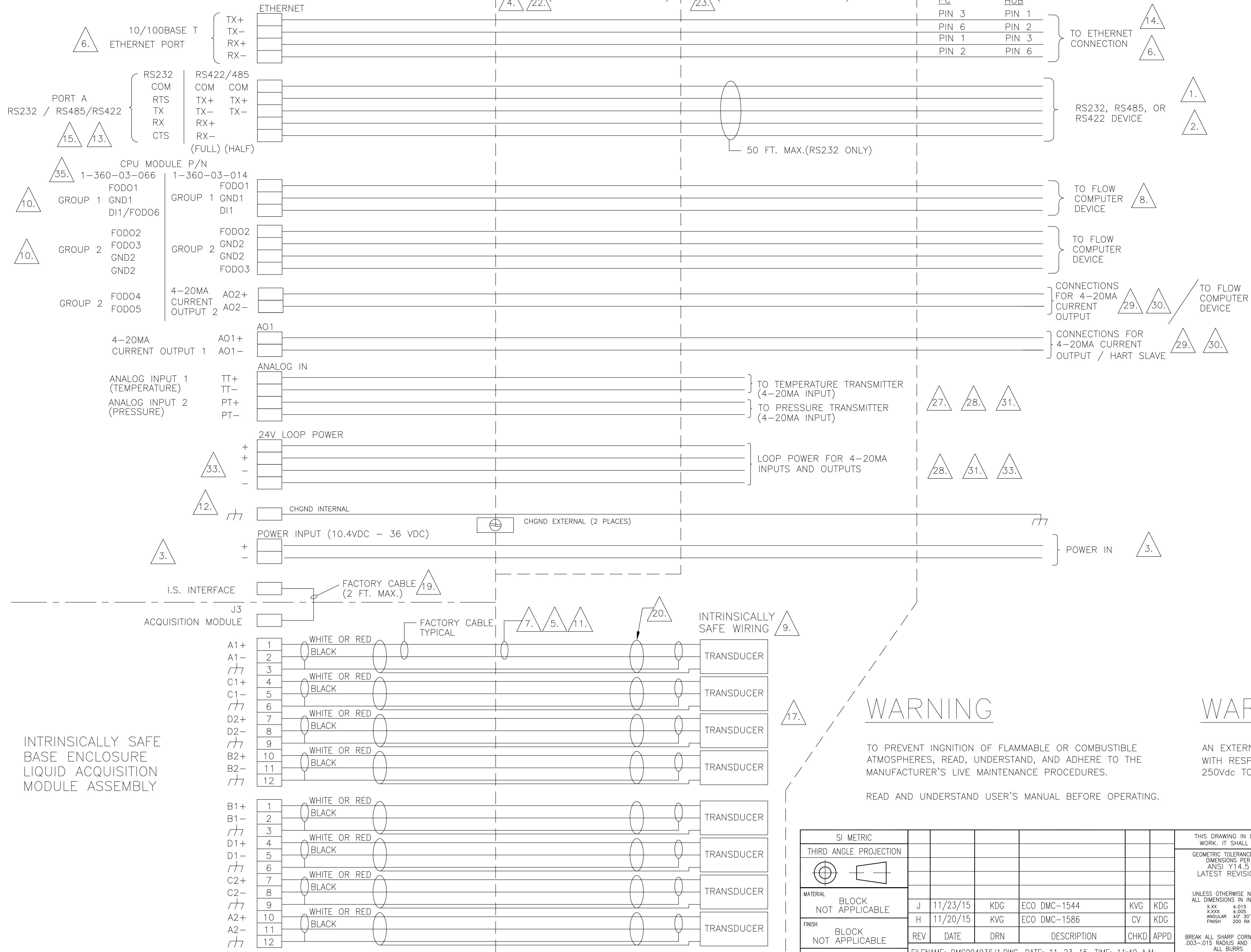
HAZARDOUS LOCATION CLASS I, GROUP C OR D  
HAZARDOUS LOCATION Ex d ia IIB T4

NON-HAZARDOUS LOCATION

3810 SERIES ELECTRONICS

EXPLOSION-PROOF SEAL (FIELD PROVIDED)  
EXPLOSION-PROOF WIRING (PER LOCAL CODE)

RJ45 CONNECTIONS



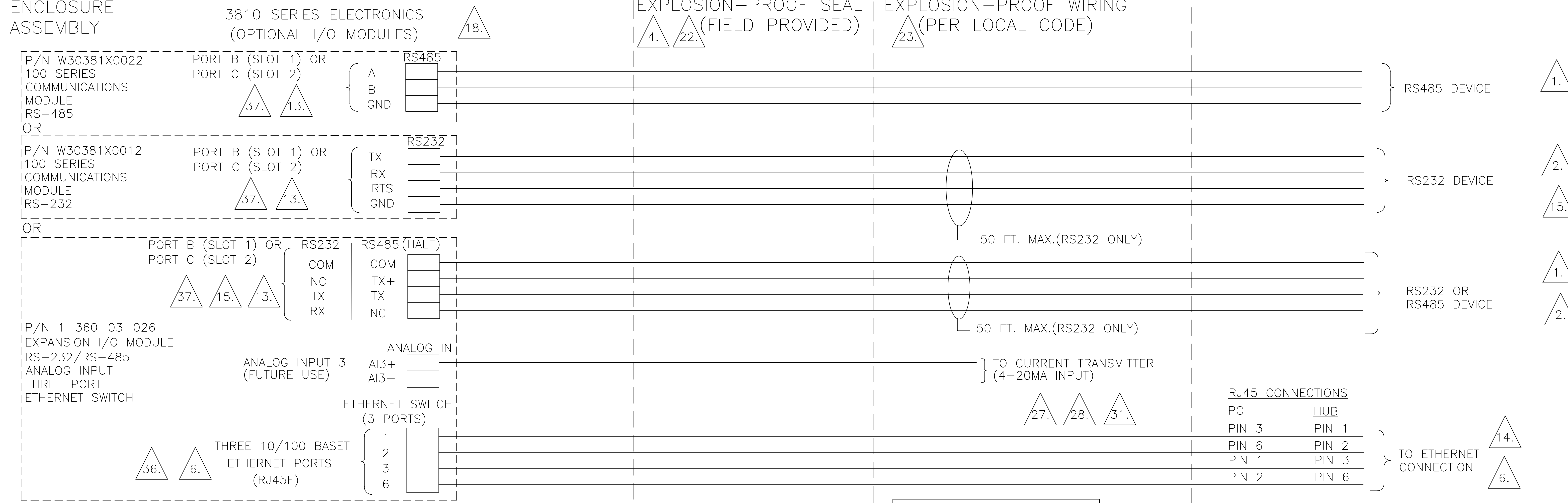
SI METRIC					
THIRD ANGLE PROJECTION					
MATERIAL	BLOCK NOT APPLICABLE	J	11/23/15	KDG	ECO DMC-1544
FINISH	BLOCK NOT APPLICABLE	H	11/20/15	KVG	ECO DMC-1586
REV	DATE	DRN	DESCRIPTION	CHKD	APPD
PROJ. FILE NO.	USM-01307	FILENAME:	DMC004936J1.DWG, DATE: 11-23-15, TIME: 11:40 A.M.		

THIS DRAWING IN DESIGN AND DETAIL IS OUR PROPERTY AND MUST NOT BE USED EXCEPT IN CONNECTION WITH OUR WORK. IT SHALL NOT BE REPRODUCED AND SHALL BE RETURNED TO US ON DEMAND. ALL RIGHTS ARE RESERVED.					
GEOMETRIC TOLERANCES & DIMENSIONS PER ANSI Y14.5 LATEST REVISION					
UNLESS OTHERWISE NOTED ALL DIMENSIONS IN INCHES X.XXX ±.015 X.XXX ±.005 ANGULAR .50° .50° MAX FINISH 200 RA MAX					
<b>DANIEL</b> Daniel Measurement and Control					
TITLE 3810 SERIES ULTRASONIC METER SYSTEM WIRING DIAGRAM					
DRN	KDG	DATE	09/29/10	DWG NO.	
CHKD	KVG	DATE	09/29/10	DMC-004936	REV J
APPD	KDG	DATE	09/29/10	SCALE NA	P/N
					SHT 1 OF 4

EXPLOSION PROOF  
TRANSMITTER  
ENCLOSURE  
ASSEMBLY

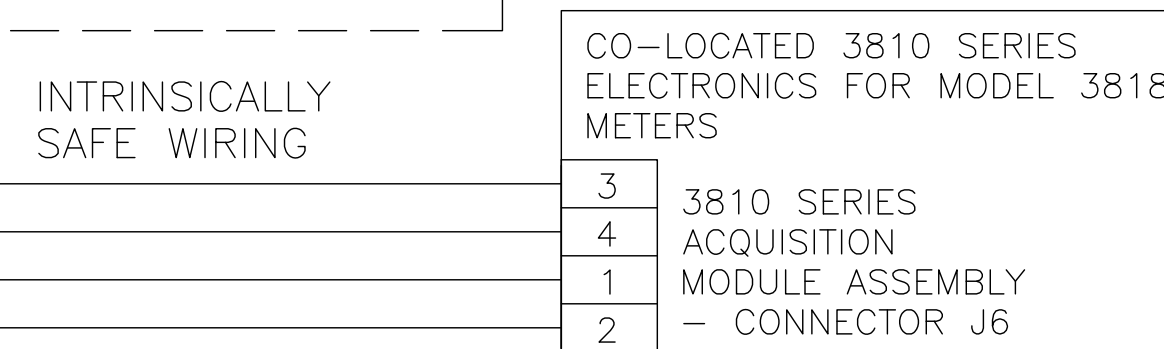
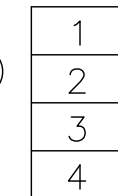
HAZARDOUS LOCATION CLASS I, GROUP C OR D  
HAZARDOUS LOCATION Ex d ia IIB T4

NON-HAZARDOUS LOCATION



INTRINSICALLY SAFE  
BASE ENCLOSURE  
LIQUID ACQUISITION  
MODULE ASSEMBLY

J6 (SEE NOTES BELOW)



1. Terminal J6 is intended to provide power to the device it is connected to and may also receive power. The entity parameters assigned for terminal J6 are as follows:

Output parameters:	Input parameters:
Vt (or Uo) = 6.51 VDC	Vmax (or Ui) = 6.51 VDC
It (or Io) = 65.8 mA	Imax (or Ii) = 65.8 mA
Po = 107 mW	Pmax (or Pi) = 107 mW
Ca (or Co) = 500 uF	Ci = 0 uF
La (or Lo) = 32.8 mH	Li = 0 mH

2. Selected intrinsically safe equipment must be third party listed as intrinsically safe for the application, and have intrinsically safe entity parameters conforming to Table 1.

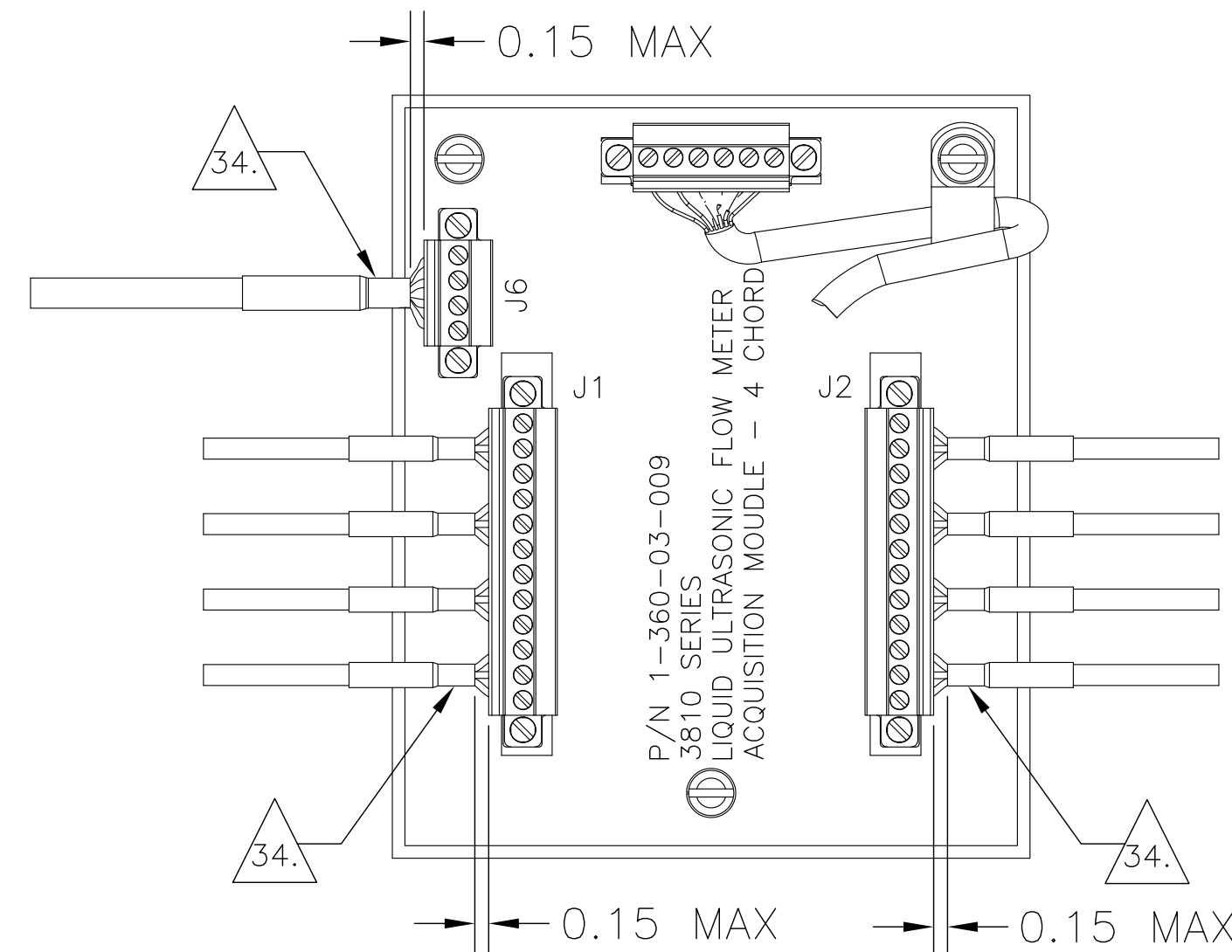
I.S. Equipment	Terminal J6
Vmax (or Ui) ≥	Voc or Vt (or Uo)
Imax (or Ii) ≥	Isc or It (or Io)
Pmax, Pi ≥	Po
Ci + Ccable ≤	Ca (or Co)
Li + Lcable ≤	La (or Lo)

3. Intrinsically safe apparatus connected to terminal J6 that may provide power, must have intrinsically safe entity parameters conforming to Table 2.

Terminal J6	Intrinsically safe apparatus with output parameters
Vmax (or Ui) ≥	Voc or Vt (or Uo)
Imax (or Ii) ≥	Isc or It (or Io)
Pmax, Pi ≥	Po
Ci + Ccable ≤	Ca (or Co)
Li + Lcable ≤	La (or Lo)

4. Capacitance and inductance of the field wiring from the intrinsically safe equipment to the terminal J6 shall be calculated and must be included in the system calculations as shown in Table 1 and Table 2. Cable capacitance, Ccable, plus intrinsically safe equipment capacitance, Ci must be less than the marked capacitance, Ca (or Co), shown on any associated apparatus used. The same applies for inductance (Lcable, Li and La or Lo, respectively). Where the cable capacitance and inductance per foot are not known, the following values shall be used: Ccable = 60 pF/ft., Lcable = 0.2 μH/ft.

5. For installations in which both the Ci and Li of the intrinsically safe apparatus connected to terminal J6 exceeds 1% of the stated Co and Lo parameters (excluding the cable), then 50% of Co and Lo parameters are applicable and shall not be exceeded.



SI METRIC	THIRD ANGLE PROJECTION	MATERIAL	FINISH	PROJ. FILE NO.
		BLOCK NOT APPLICABLE	BLOCK NOT APPLICABLE	USM-01307

REV	DATE	DRN	DESCRIPTION	CHKD	APPD
J	11/23/15	KDG	ECO DMC-1544	KVG	KDG
H	11/20/15	KVG	ECO DMC-1586	CV	KDG

FILENAME: DMC004936J2.DWG, DATE: 11-23-15, TIME: 11:40 A.M.

THIS DRAWING IN DESIGN AND DETAIL IS OUR PROPERTY AND MUST NOT BE USED EXCEPT IN CONNECTION WITH OUR WORK. IT SHALL NOT BE REPRODUCED AND SHALL BE RETURNED TO US ON DEMAND. ALL RIGHTS ARE RESERVED.

GEOMETRIC TOLERANCES & DIMENSIONS PER ANSI Y14.5 LATEST REVISION

UNLESS OTHERWISE NOTED ALL DIMENSIONS IN INCHES  
X.XX ±.015  
X.XXX ±.005  
ANGULAR ±.07 30°  
FINISH 200 RA MAX

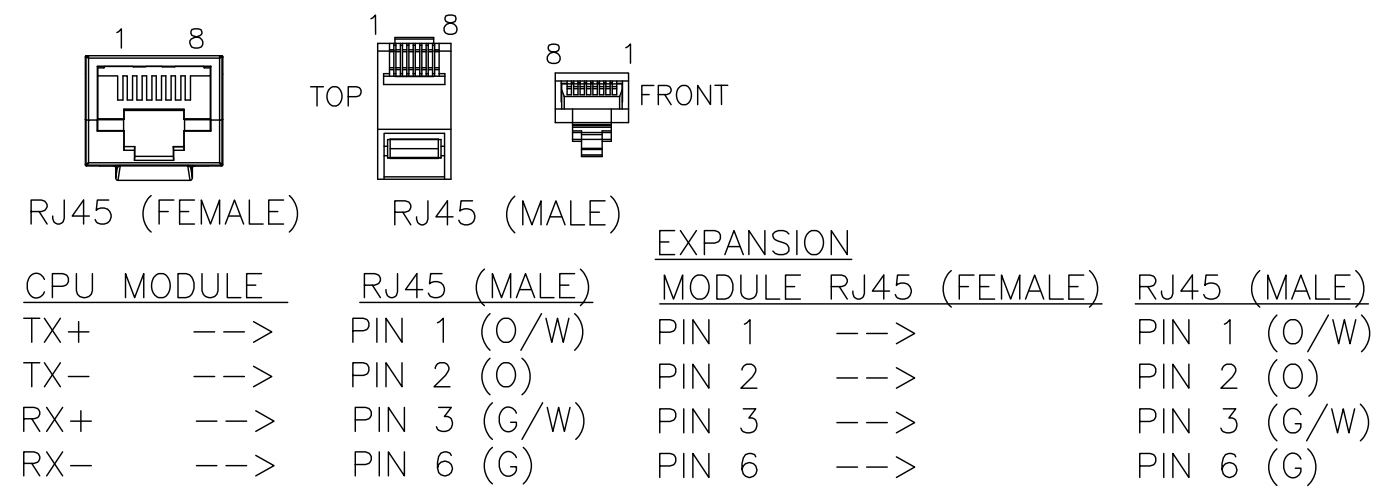
BREAK ALL SHARP CORNERS TO .003-.015 RADIUS AND REMOVE ALL BURRS

		Daniel Measurement and Control	
TITLE 3810 SERIES ULTRASONIC METER SYSTEM WIRING DIAGRAM			
DRN KDG	DATE 09/29/10	DWG NO. DMC-004936	REV J
CHKD KVG	DATE 09/29/10	SCALE NA	P/N
APPD KDG	DATE 09/29/10		SHT 2 OF 4

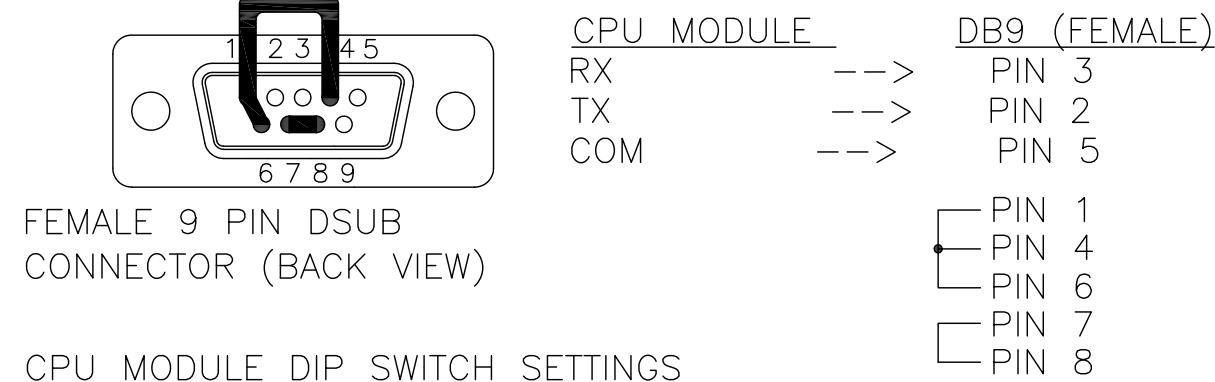
**NOTES:**

1. MAX LENGTH OF RS-485 WIRING IS 2,000 FT.
  2. ETHERNET OR RS-422 IS THE PREFERRED COMMUNICATIONS INTERFACE. OPTIONALLY, RS-232 MAY BE USED FOR SHORT DISTANCES, (50 FT.)
  3. POWER INPUT IS NOMINAL 24 VDC. INPUT RANGE 10.4-36V DC. POLARITY INSENSITIVE
  4. AN EXPLOSION-PROOF SEAL IS REQUIRED WITHIN 457 MM(18 INCHES) OF THE ENCLOSURE.
  5. MODEL 3814 AND 3818:  
TRANSDUCER CABLE IS 20 AWG. SHIELDED PAIR, 20 AWG DRAIN, BRAIDED SHIELD, REMKE INDUSTRIES OR EQUIVALENT, 15 FT. MAX.  
MODEL 3812:  
TRANSDUCER CABLE IS 26 AWG. SHIELDED PAIR, 15 FT. MAX.
  6. FOR OPTIMUM DIAGNOSTIC INTERFACE, WIRING ETHERNET PORT IS RECOMMENDED. USE CAT5 ETHERNET CABLE
  7. INTRINSICALLY SAFE WIRING SHALL BE INSTALLED IN ACCORDANCE WITH THE ARTICLE 504 OF THE NATIONAL ELECTRICAL CODE OR RULE 18-066 OF THE CANADIAN ELECTRICAL CODE.
  8. DIGITAL INPUT 1 (DI1) IS CONTACT CLOSURE ONLY.
  9. TRANSDUCER PAIRS REQUIRED
- | MODEL NO. | TRANSDUCER PAIRS REQUIRED | TYPICAL CHORDS USED |
|-----------|---------------------------|---------------------|
| 3814      | 4                         | A,B,C,D             |
| 3812      | 2                         | A,B                 |
| 3818      | 8                         | 2 x MODEL 3814      |
10. FODO OUTPUTS 1 THROUGH 6 CAN BE INDEPENDENTLY CONFIGURED TO FUNCTION AS FREQUENCY OUTPUTS OR DIGITAL STATUS OUTPUTS. THEY CAN EACH BE INDEPENDENTLY CONFIGURED TO DRIVE AS TTL OR OPEN COLLECTOR. FODO6 SHARES CONNECTIONS WITH DI1 ON CPU MODULE P/N 1-360-03-066. DI1/FODO6 FUNCTION IS SOFTWARE CONFIGURABLE. GROUP 1 OUTPUTS (GND1) ARE ELECTRICALLY ISOLATED FROM GROUP 2 OUTPUTS (GND2)
  11. EXPLOSION PROOF TRANSMITTER ENCLOSURE AND INTRINSICALLY SAFE BASE ENCLOSURE MUST BE MOUNTED IN A REMOTE LOCATION OFF THE METER BODY IF THE PROCESS TEMPERATURE EXCEEDS THE LOWER OR UPPER AMBIENT RATING -40 °C TO 60 °C (-40 °F TO 140 °F). THE ELECTRONICS MUST BE MOUNTED NEXT TO THE METER BODY ON A PIPE STAND OR OTHER RIGID STRUCTURE.
- MODEL 3812:  
FOR THE MODEL 3812, THE TOTAL CABLE LENGTH SHALL NOT EXCEED 4.7 METERS (15 FEET) BETWEEN THE ACQUISITION MODULE AND ANY TRANSDUCER. THE REMOTE MOUNT OPTION IS LIMITED TO THE PROCESS TEMPERATURE RANGE OF THE APPROPRIATE TRANSDUCER TYPE (SEE NOTE 17).
- MODEL 3814:  
TRANSDUCER CABLES (P/N 1-360-01-601, 15 FT. LONG) SHALL BE USED TO CONNECT THE DANIEL 3810 SERIES ELECTRONICS TO EACH OF THE TRANSDUCERS INSTALLED IN A MODEL 3814 METER BODY FOR PROCESS FLUID TEMPERATURES UP TO 100 °C (212 °F). FOR PROCESS FLUID TEMPERATURES UP TO 150 °C (302 °F), THE HIGH TEMPERATURE TRANSDUCER CABLES (P/N 1-360-01-800, 15 FT. LONG OR 1-360-01-801, 15 FT. LONG) SHALL BE USED TO CONNECT THE DANIEL 3810 SERIES ELECTRONICS TO EACH OF THE TRANSDUCERS INSTALLED IN A MODEL 3814 METER BODY. IN ANY CONFIGURATION, THE TOTAL CABLE LENGTH SHALL NOT EXCEED 4.7 METERS (15 FEET) BETWEEN THE ACQUISITION MODULE AND ANY TRANSDUCER.
- MODEL 3818:  
FOR THE MODEL 3818, THE TOTAL CABLE LENGTH SHALL NOT EXCEED 4.7 METERS (15 FEET) BETWEEN THE ACQUISITION MODULE AND ANY TRANSDUCER. THE REMOTE MOUNT OPTION IS LIMITED TO THE PROCESS TEMPERATURE RANGE OF THE APPROPRIATE TRANSDUCER TYPE (SEE NOTE 17).
12. THE INTERNAL GROUNDING TERMINAL SHALL BE USED AS THE PRIMARY EQUIPMENT GROUND. THE EXTERNAL GROUND TERMINAL IS ONLY A SUPPLEMENTAL BONDING CONNECTION WHERE LOCAL AUTHORITIES PERMIT OR REQUIRE SUCH A CONNECTION.
  13. TO METER. (I.E. PC - TX -> METER - RX)  
COMM SIGNAL NAMING CONVENTION IS WITH RESPECT

14. RJ45 SOCKET NUMBERING AND T568B WIRING FOR STANDARD PATCH CABLING. ETHERNET PORTS AUTOMATICALLY DETECT DIRECT PC OR HUB CONNECTION. CROSSOVER NOT REQUIRED FOR DIRECT PC CONNECTION



15. PC SIDE SERIAL CONNECTION MUST BE WIRED FOR COMPLETE NULL MODEM FOR SUCCESSFUL HOOKUP TO METER  
NULL MODEM CONNECTIONS FOR PC END OF CABLE (RS232 WITH NO HANDSHAKING ONLY)



16. CPU MODULE DIP SWITCH SETTINGS

SWITCH	DESCRIPTION
PORT A	PORT A OVERRIDE
DHCP	DHCP SERVER ENABLE
WRITE PROT.	MEMORY PROTECT

TO ENABLE THE PORT A OVERRIDE, SWITCH MUST BE MOVED FROM THE OFF TO ON POSITION. PORT A WILL BE SET TO 19200,8,N,1 ID 32 FOR TWO MINUTES.

17. MODEL 3810 SERIES TRANSDUCERS TYPE LT-01, LT-03, LT-04, LT-05, LT-06, LT-07, LT-08, LT-09, LT-10, LT-11, LT-12, LT-13, LT-14, LT-15, LT-16 AND LT-17.  
THE TRANSDUCERS ARE NOT INTENDED FOR USE ACROSS A BOUNDARY WALL.

THE TEMPERATURE CLASSIFICATION OF THE TRANSDUCERS IS T4 UNLESS THE ELECTRONICS ENCLOSURE IS REMOTELY MOUNTED FROM THE METER BODY. IF THE ELECTRONICS ENCLOSURE IS NOT MOUNTED TO THE METER BODY, REFER TO THE CERTIFICATION LABEL DMC-006037 ON THE METER BODY FOR THE APPROPRIATE CLASSIFICATION OF THE TRANSDUCERS, T4 OR T3.

PROCESS TEMPERATURE MUST NOT EXCEED THE OPERATING TEMPERATURE RANGE OF THE TRANSDUCERS AS INDICATED IN THE TABLE BELOW.

TRANSDUCER TYPE	PROCESS TEMPERATURE RANGE
LT-01	-50 °C (-58 °F) TO +100 °C (+212 °F)
LT-03	-50 °C (-58 °F) TO +100 °C (+212 °F)
LT-04	-50 °C (-58 °F) TO +150 °C (+302 °F)
LT-05	-50 °C (-58 °F) TO +150 °C (+302 °F)
LT-06	-196 °C (-321 °F) TO +60 °C (+140 °F)
LT-07	-196 °C (-321 °F) TO +60 °C (+140 °F)
LT-07B	-196 °C (-321 °F) TO +60 °C (+140 °F)
LT-08	-50 °C (-58 °F) TO +150 °C (+302 °F)
LT-09	-50 °C (-58 °F) TO +150 °C (+302 °F)
LT-10	-50 °C (-58 °F) TO +150 °C (+302 °F)
LT-11	-50 °C (-58 °F) TO +150 °C (+302 °F)
LT-12	-50 °C (-58 °F) TO +150 °C (+302 °F)
LT-13	-50 °C (-58 °F) TO +150 °C (+302 °F)
LT-14	-50 °C (-58 °F) TO +200 °C (+392 °F)
LT-15	-50 °C (-58 °F) TO +200 °C (+392 °F)
LT-16	-50 °C (-58 °F) TO +200 °C (+392 °F)
LT-17	-50 °C (-58 °F) TO +200 °C (+392 °F)

18. THE 3410 SERIES METER STANDARD ENCLOSURE OPTION HAS ONE AVAILABLE SLOT FOR A SINGLE I/O MODULE. THE RETROFIT ENCLOSURE OPTION HAS TWO AVAILABLE SLOTS FOR TWO I/O MODULES. RETROFIT OPTION SUPPORTS INSTALLATION OF ONLY ONE EXPANSION I/O MODULE WITH ETHERNET SWITCH (P/N 1-360-03-026) IN EITHER SLOT

19. FACTORY CABLE INCLUDES EXPLOSION PROOF SEAL.

20. SECONDARY SHIELD ONLY PRESENT ON MODEL 3814 AND 3818 LNG TRANSDUCER CABLING.

21. DIMENSIONS OF FLAMEPROOF JOINTS ARE OTHER THAN THE RELEVANT MINIMUM OR MAXIMUM SPECIFIED IN TABLE 3 OF EN/IEC 60079-1:2007. PLEASE CONTACT MANUFACTURER FOR DETAILS.

22. ALL CABLE ENTRY DEVICES SHALL BE CERTIFIED IN TYPE OF EXPLOSION PROTECTION FLAMEPROOF ENCLOSURE 'd', SUITABLE FOR THE CONDITIONS OF USE AND CORRECTLY INSTALLED. CONTINUED ->

22. CONT. IECEx UL 11.0004X CERTIFICATE NOTE: TABULATION OF ADDITIONAL PREVIOUS EDITIONS APPLIED

THE FOLLOWING ADDITIONAL PREVIOUS EDITIONS OF STANDARDS NOTED UNDER THE "STANDARDS" SECTION OF THIS CERTIFICATE WERE APPLIED TO INTEGRAL COMPONENTS AS ITEMIZED BELOW. THERE ARE NO SIGNIFICANT SAFETY RELATED CHANGES BETWEEN THESE PREVIOUS EDITIONS AND THE EDITIONS NOTED UNDER THE "STANDARDS" SECTION.

BLANKING ELEMENTS MODEL NUMBER PA-D-3-0-30 OR PA-D-1-1-30 MANUFACTURED BY REDAPT.	IEC 60079-0:2009
THREAD ADAPTERS MODEL NUMBER RD-U-3-0-30-04 OR RD-U-1-1-30-04 MANUFACTURED BY REDAPT.	IEC 60079-0:2009

23. FIELD WIRING MUST BE RATED FOR 75 °C OR HIGHER. FOR AMBIENT TEMPERATURES BELOW -10 °C (14 °F), USE FIELD WIRING SUITABLE FOR THE MINIMUM AMBIENT TEMPERATURE.

24. REFER TO THE APPROPRIATE INSTRUCTION MANUAL FOR INSTRUCTIONS FOR SAFETY INCLUDING PUTTING INTO SERVICE, USE, ASSEMBLING AND DISMANTLING, MAINTENANCE, INSTALLATION, AND ADJUSTMENT.

MODEL 3812:  
3-9000-765 3812 INSTALLATION MANUAL  
3-9000-767 3812 MAINTENANCE AND TROUBLESHOOTING MANUAL

MODEL 3814:  
3-9000-760 3810 SERIES INSTALLATION MANUAL  
3-9000-764 3814 MAINTENANCE AND TROUBLESHOOTING MANUAL

MODEL 3818:  
3-9000-771 3818 INSTALLATION MANUAL  
3-9000-772 3818 MAINTENANCE AND TROUBLESHOOTING

25. LABEL FOR 3810 SERIES FLOW METER:  
DATE CODE IS INCLUDED IN THE SERIAL NUMBER. SERIAL NUMBER FORMAT SHALL BE "YY-WWXXXX" WHERE:  
YY = 2-DIGIT YEAR OF MANUFACTURE  
WW = WEEK OF MANUFACTURE (01-52)  
XXXX = SEQUENTIALLY INCREMENTING NUMBER

**WARNING!**  
ULTRASONIC FLOW TRANSMITTER  
MODEL 3810 SERIES  
FOR USE IN HAZARDOUS LOCATIONS  
CLASS I, GROUP C, D PROVIDING  
INTRINSICALLY SAFE CIRCUITS FOR  
USE IN HAZARDOUS LOCATIONS  
WARNING: DO NOT OPEN WHEN  
AN EXPLOSIVE ATMOSPHERE  
MAY BE PRESENT.  
CAUTION: TO REDUCE THE RISK  
OF IGNITION OF HAZARDOUS  
ATMOSPHERES, DISCONNECT THE  
CIRCUIT BEFORE OPENING. KEEP  
EQUIPMENT FROM THE SUPPLY  
WHEN IN OPERATION.  
REMOTE TRANSDUCERS  
FORMING PART OF THESE  
CERTIFICATES MAY BE FITTED.

1180 Ex ib IIB T4 Gb  
DIPNIP 11 ATEX 1006133X  
II 2 G  
-40°C ≤ Ta ≤ 60°C  
IECEx UL 11.0004X  
Ex # 10 IIB T4  
90Y1  
UL US LISTED  
3/4 NPT DMC-004897

SI METRIC										THIS DRAWING IN DESIGN AND DETAIL IS OUR PROPERTY AND MUST NOT BE USED EXCEPT IN CONNECTION WITH OUR WORK. IT SHALL NOT BE REPRODUCED AND SHALL BE RETURNED TO US ON DEMAND. ALL RIGHTS ARE RESERVED.	
THIRD ANGLE PROJECTION										GEOMETRIC TOLERANCES & DIMENSIONS PER ANSI Y14.5 LATEST REVISION	
MATERIAL BLOCK NOT APPLICABLE		J	11/23/15	KDG	ECO DMC-1544	KVG	KDG	TITLE 3810 SERIES ULTRASONIC METER SYSTEM WIRING DIAGRAM		UNLESS OTHERWISE NOTED ALL DIMENSIONS IN INCHES XXX ±.015 XXX ±.005 ANGULAR ±0° 30' FINISH 200 RA MAX	
FINISH BLOCK NOT APPLICABLE		REV	DATE	DRN	DESCRIPTION	CHKD	APPD	DRN KDG DATE 09/29/10 DWG NO. DMC-004936		REV J	
PROJ. FILE NO. USM-01307		FILENAME: DMC004936J.DWG, DATE: 11-23-15, TIME: 11:40 A.M.						BREAM ALL SHARP CORNERS TO .003-.015 RADIUS AND REMOVE ALL BURRS		APPD KDG DATE 09/29/10 SCALE NA P/N SHIT 3 OF 4	

26. FOR THE U.L. U.S. MARK INVESTIGATION, THE DEVICE COMPLIES TO THE FOLLOWING STANDARDS FOR USE IN THE UNITED STATES:

UL 1203, 4TH EDITION  
UL 508, 17TH EDITION  
UL 913, 7TH EDITION

FOR THE U.L.-C MARK INVESTIGATION, THE DEVICE COMPLIES TO THE FOLLOWING STANDARDS FOR USE IN CANADA:

CAN/CSA C22.2 No. 30-M1986, REV. 1988-11  
CAN/CSA C22.2 No. 14-10  
CAN/CSA C22.2 No. 157-92

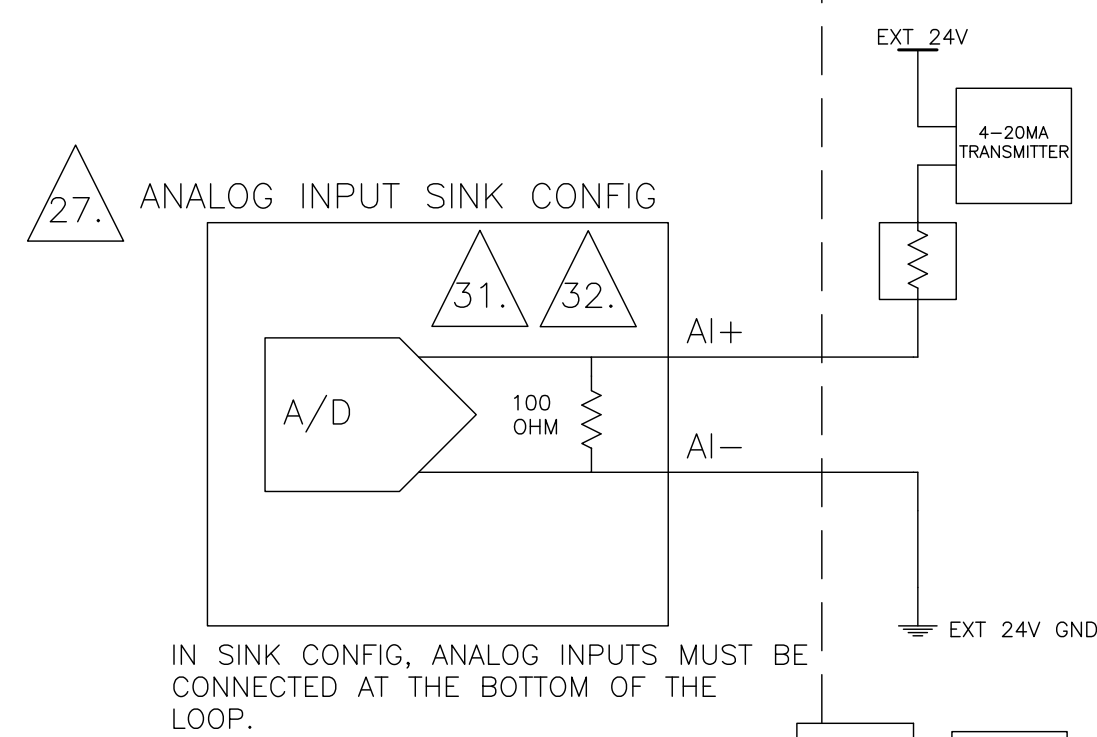
FOR THE ATEX MARK INVESTIGATION, THE DEVICE COMPLIES TO THE FOLLOWING STANDARDS FOR USE IN THE EUROPEAN UNION:

EN 60079-0:2012  
EN 60079-1:2007  
EN 60079-11:2007

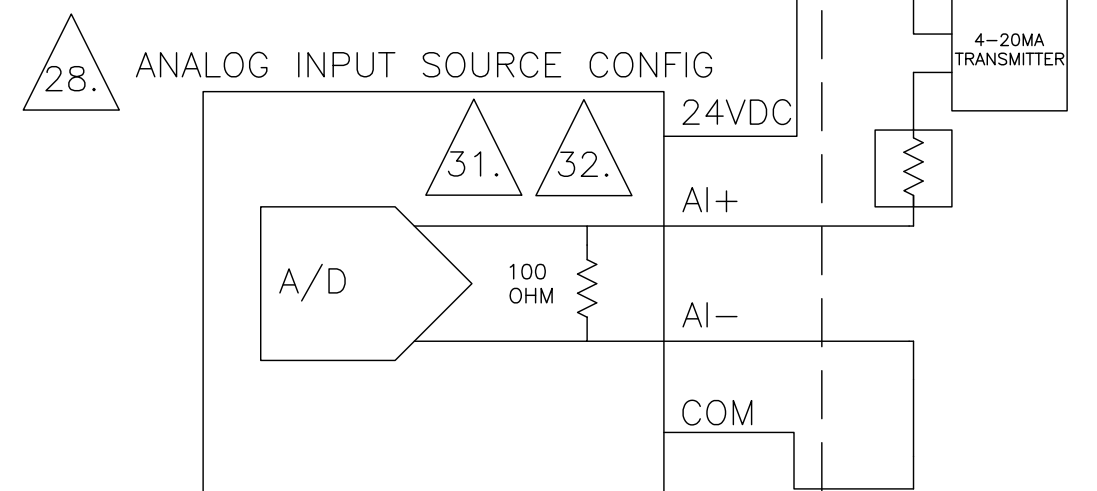
FOR THE IECEX MARK INVESTIGATION, THE DEVICE COMPLIES TO THE FOLLOWING STANDARDS:

IEC 60079-0:2012  
IEC 60079-1:2007  
IEC 60079-11:2006

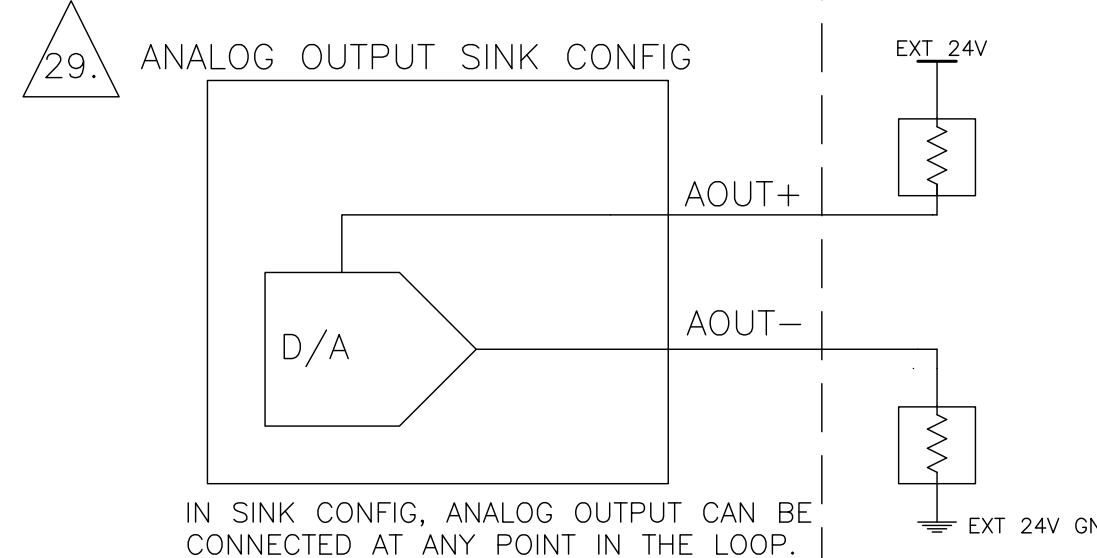
NOTES: 3810 SERIES ELECTRONICS | EXTERNAL CONNECTIONS



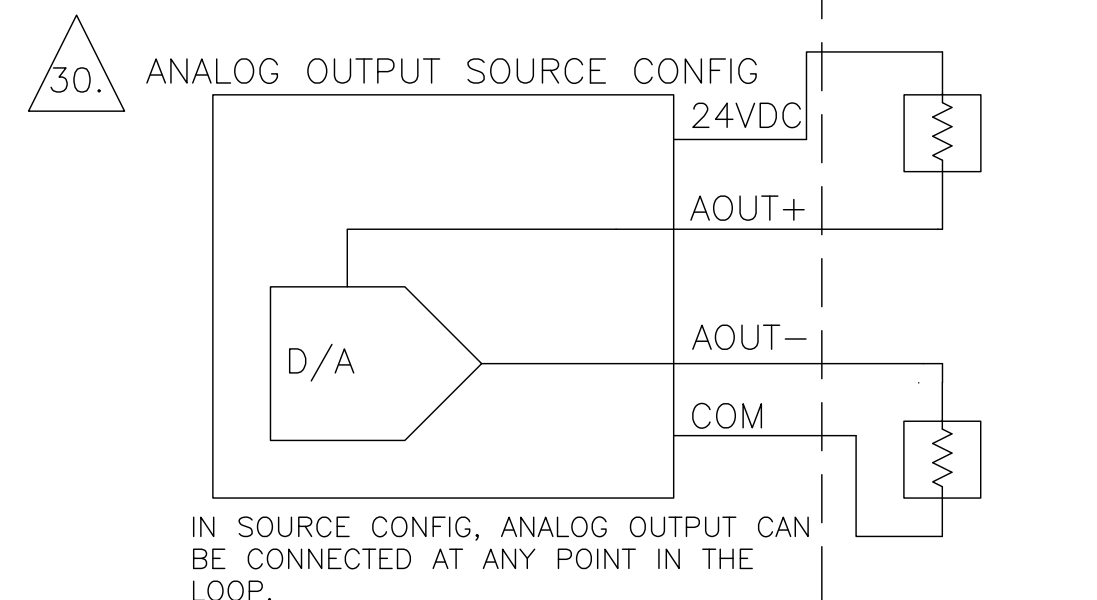
IN SINK CONFIG, ANALOG INPUTS MUST BE CONNECTED AT THE BOTTOM OF THE LOOP.



IN SOURCE CONFIG, ANALOG INPUTS MUST BE CONNECTED AT THE BOTTOM OF THE LOOP.



IN SINK CONFIG, ANALOG OUTPUT CAN BE CONNECTED AT ANY POINT IN THE LOOP.



IN SOURCE CONFIG, ANALOG OUTPUT CAN BE CONNECTED AT ANY POINT IN THE LOOP.

REPRESENTS ADDITIONAL I/O DEVICES LOCATED IN THE LOOP. ADDITIONAL DEVICES ONLY SHOWN TO ILLUSTRATE ANALOG CONNECTIONS. NOT REQUIRED FOR OPERATION

31. ANALOG INPUT 1 AND ANALOG INPUT 2 ARE FUNCTIONALLY IDENTICAL AND ARE NOT ELECTRICALLY ISOLATED FROM EACH OTHER. THE '-' TERMINALS FOR ANALOG INPUTS ARE COMMON TO EACH OTHER.

32. ANALOG INPUT 1 AND ANALOG INPUT 2 HAVE ADDITIONAL 150 OHMS LOOP IMPEDANCE FOR COMPLIANCE WITH HART COMMUNICATION REQUIREMENTS.

33. 24 VOLTS DC OUTPUT CAN BE USED TO SOURCE POWER TO ONE OR MORE OF THE ANALOG INPUTS OR OUTPUTS.

34. MODEL 3818: CABLING TO CONNECTORS J1, J2 AND J6 ON ACQUISITION MODULE SHALL HAVE DISCRETE WIRES RESTRAINED USING SHRINK TUBING AS SHOWN ON SHEET 2.

35. I/O CONFIGURATION CHANGES BASED ON CPU MODULE P/N. REFER TO PRODUCT MANUAL FOR FULL DETAILS.

36. EXPANSION MODULE HAS THREE ETHERNET PORT SWITCH WHERE PORT LABELED "3" IS INTENDED FOR CONNECTING TO ETHERNET PORT OF CPU MODULE, AND PORTS LABELED "1" AND "2" ARE AVAILABLE FOR USER.

37. SERIAL I/O MODULE INSTALLED IN SLOT 1 (ADJACENT TO CPU MODULE) IS PORT B, AND SERIAL I/O MODULE INSTALLED IN SLOT 2 IS PORT C. SLOT 2 IS ONLY AVAILABLE WITH RETROFIT ENCLOSURE OPTION.

SI METRIC						THIS DRAWING IN DESIGN AND DETAIL IS OUR PROPERTY AND MUST NOT BE USED EXCEPT IN CONNECTION WITH OUR WORK. IT SHALL NOT BE REPRODUCED AND SHALL BE RETURNED TO US ON DEMAND. ALL RIGHTS ARE RESERVED.	
THIRD ANGLE PROJECTION						GEOMETRIC TOLERANCES & DIMENSIONS PER ANSI Y14.5 LATEST REVISION	
MATERIAL BLOCK NOT APPLICABLE		J	11/23/15	KDG	ECO DMC-1544	KVG	KDG
FINISH BLOCK NOT APPLICABLE		H	11/20/15	KVG	ECO DMC-1586	CV	KDG
REV		DATE	DRN	DESCRIPTION	CHKD	APPD	
PROJ. FILE NO. USM-01307		FILENAME: DMC004936J4.DWG, DATE: 11-23-15, TIME: 11:40 A.M.				UNLESS OTHERWISE NOTED ALL DIMENSIONS IN INCHES xxx ±.015 x.xxx ±.005 ANGULAR ±0° 30' FINISH 200 RA MAX	
						BREAK ALL SHARP CORNERS TO .003-.015 RADIUS AND REMOVE ALL BURRS	
						 Daniel Measurement and Control	
						TITLE 3810 SERIES ULTRASONIC METER SYSTEM WIRING DIAGRAM	
DRN	KDG	DATE	09/29/10	DWG NO.	DMC-004936		REV
CHKD	KVG	DATE	09/29/10			J	
APPD	KDG	DATE	09/29/10	SCALE	NA	P/N	SHT 4 OF 4



# B Open Sources licenses

## B.1 List of Open Source licenses

Source code for executable files or libraries included in this product is provided per the indicated license in the table below. Hyperlinks to the controlling organization's websites are included in [GNU General Public license](#) through [M.I.T. license](#).

**Table B-1: List of Open Source licenses**

Package	File specification	License	Summary
base_libs-1.2-1	base_libs	LGPL	Base Libraries (from toolchain)
busybox-1.1.3-1	busybox	GPL	A small executable that replaces many UNIX utilities
dev-1.1-1	dev	GPL	Device files for a small embedded system
devmem2-1.0-1	devmem2	GPL	Simple program to read/write from/to any location
ethtool-3-1	ethtool	GPL	Ethernet settings tool for PCI Ethernet cards
fake-provides-1.0-5	fake-provides	GPL	Fake provides to satisfy package dependencies
gdb-6.6cs-1	gdb	GPL	Gdb - GNU Source level debugger for C, C++
kernel-2.6.37-6	kernel-2.6.37-mpc8313erd	GPL	Linux kernel (core of the Linux operating system)
libpcap-0.8.3-1	libpcap	BSD	A system-independent interface for user-level pa
libtermcap-2.0.8-31_1	libtermcap	LGPL	A basic system library for accessing the termcap
lwIP		BSD	A lightweight TCP/IP stack
merge-0.1-1	merge	GPL	Merge files for an embedded root filesystem
modeps-1.0-1	modeps	GPL	Generate module dependency file
mtd-utils-20060302-1	mtd-utils	GPL	Memory Technology Device tools

**Table B-1: List of Open Source licenses (continued)**

Package	File specification	License	Summary
net-tools-1.60-1	net-tools	GPL	Basic networking tools
ppp-2.4.4-1	ppp	BSD	Like a Point-to-Point Protocol daemon
skell-1.16-2	skell	GPL	Skeleton files for an embedded root filesystem
sqlite-3.6.22-1	sqlite	Public domain	SQLite is a C library that implements an embeddable SQL database
strace-4.5.14-1	strace	BSD	trace system calls associated with a running pro
sysconfig-1.2-1	sysconfig	GPL	System configuration package
sysfsutils-2.1.0-1	sysfsutils	GPL/LGPL	sysfs utilities
tcpdump-3.8.3-1	tcpdump	BSD	A network traffic monitoring tool
termcap-1.2-1	termcap	BSD	minimal /etc/termcap needed by minicom etc
u-boot-1.3.0-1	u-boot-1.3.0-mpc8313erdb	GPL	Universal Bootloader firmware
ubi-utils-1.4.2-1	ubi-utils	GPL	Tools for maintaining Unsorted Block Image Device
vsftpd-2.2.2-1	vsftpd	GPL	vsftpd - Very Secure Ftp Daemon
zlib-1.2.3-2	zlib	zlib	Distribution zlib compression utilities and libraries

Follow the link below to the Daniel™ Liquid Ultrasonic Products GPL webpage for additional open source information and zipped source code files: <https://www.emerson.com/en-us/catalog/daniel-3818>

## B.1.1 GNU General Public license

For more details about GNU GPL (General Public License), follow the link below:

<http://www.gnu.org/>

Daniel® Measurement and Control, Inc., uses GPL version 2.

<http://www.gnu.org/licenses/old-licenses/gpl-2.0.html>



The GNU GPL is currently version 3

<http://www.gnu.org/licenses/quick-guide-gplv3.html>

For older versions of the GNU General Public License, follow the link below:

<http://www.gnu.org/licenses/old-licenses/old-licenses.html#GPL>

See GPL license on the following pages.

### **The GNU General Public License (GPL)**

Version 2, June 1991

Copyright (C) 1989, 1991 Free Software Foundation, Inc.

59 Temple Place, Suite 330, Boston, MA 02111-1307 USA

Everyone is permitted to copy and distribute verbatim copies of this license document, but changing it is not allowed.

#### **Preamble**

The licenses for most software are designed to take away your freedom to share and change it. By contrast, the GNU General Public License is intended to guarantee your freedom to share and change free software--to make sure the software is free for all its users. This General Public License applies to most of the Free Software Foundation's software and to any other program whose authors commit to using it. (Some other Free Software Foundation software is covered by the GNU Library General Public License instead.) You can apply it to your programs, too.

When we speak of free software, we are referring to freedom, not price. Our General Public Licenses are designed to make sure that you have the freedom to distribute copies of free software (and charge for this service if you wish), that you receive source code or can get it if you want it, that you can change the software or use pieces of it in new free programs; and that you know you can do these things.

To protect your rights, we need to make restrictions that forbid anyone to deny you these rights or to ask you to surrender the rights. These restrictions translate to certain responsibilities for you if you distribute copies of the software, or if you modify it.

For example, if you distribute copies of such a program, whether gratis or for a fee, you must give the recipients all the rights that you have. You must make sure that they, too, receive or can get the source code. And you must show them these terms so they know their rights.

We protect your rights with two steps: (1) copyright the software, and (2) offer you this license which gives you legal permission to copy, distribute and/or modify the software.

Also, for each author's protection and ours, we want to make certain that everyone understands that there is no warranty for this free software. If the software is modified by someone else and passed on, we want its recipients to know that what they have is not the original, so that any problems introduced by others will not reflect on the original authors' reputations.

Finally, any free program is threatened constantly by software patents. We wish to avoid the danger that redistributors of a free program will individually obtain patent licenses, in effect making the program proprietary. To prevent this, we have made it clear that any patent must be licensed for everyone's free use or not licensed at all.

The precise terms and conditions for copying, distribution and modification follow.

### **TERMS AND CONDITIONS FOR COPYING, DISTRIBUTION AND MODIFICATION**

**0.** This License applies to any program or other work which contains a notice placed by the copyright holder saying it may be distributed under the terms of this General Public License. The "Program", below, refers to any such program or work, and a "work based on the Program" means either the Program or any derivative work under copyright law: that is to say, a work containing the Program or a portion of it, either verbatim or with modifications and/or translated into another language. (Hereinafter, translation is included without limitation in the term "modification".) Each licensee is addressed as "you".

Activities other than copying, distribution and modification are not covered by this License; they are outside its scope. The act of running the Program is not restricted, and the output from the Program is covered only if its contents constitute a work based on the Program (independent of having been made by running the Program). Whether that is true depends on what the Program does.

**1.** You may copy and distribute verbatim copies of the Program's source code as you receive it, in any medium, provided that you conspicuously and appropriately publish on each copy an appropriate copyright notice and disclaimer of warranty; keep intact all the notices that refer to this License and to the absence of any warranty; and give any other recipients of the Program a copy of this License along with the Program.

You may charge a fee for the physical act of transferring a copy, and you may at your option offer warranty protection in exchange for a fee.

**2.** You may modify your copy or copies of the Program or any portion of it, thus forming a work based on the Program, and copy and distribute such modifications or work under the terms of Section 1 above, provided that you also meet all of these conditions:

**a)** You must cause the modified files to carry prominent notices stating that you changed the files and the date of any change.

**b)** You must cause any work that you distribute or publish, that in whole or in part contains or is derived from the Program or any part thereof, to be licensed as a whole at no charge to all third parties under the terms of this License.

**c)** If the modified program normally reads commands interactively when run, you must cause it, when started running for such interactive use in the most ordinary way, to print or display an announcement including an appropriate copyright notice and a notice that there is no warranty (or else, saying that you provide a warranty) and that users may redistribute the program under these conditions, and telling the user how to view a copy of this License. (Exception: if the Program itself is interactive but does not normally print such an announcement, your work based on the Program is not required to print an announcement.)

These requirements apply to the modified work as a whole. If identifiable sections of that work are not derived from the Program, and can be reasonably considered independent and separate works in themselves, then this License, and its terms, do not apply to those sections when you distribute them as separate works. But when you distribute the same sections as part of a whole which is a work based on the Program, the distribution of the whole must be on the terms of this License, whose permissions for other licensees extend to the entire whole, and thus to each and every part regardless of who wrote it.

Thus, it is not the intent of this section to claim rights or contest your rights to work written entirely by you; rather, the intent is to exercise the right to control the distribution of derivative or collective works based on the Program.

In addition, mere aggregation of another work not based on the Program with the Program (or with a work based on the Program) on a volume of a storage or distribution medium does not bring the other work under the scope of this License.

3. You may copy and distribute the Program (or a work based on it, under Section 2) in object code or executable form under the terms of Sections 1 and 2 above provided that you also do one of the following:

**a)** Accompany it with the complete corresponding machine-readable source code, which must be distributed under the terms of Sections 1 and 2 above on a medium customarily used for software interchange; or,

**b)** Accompany it with a written offer, valid for at least three years, to give any third party, for a charge no more than your cost of physically performing source distribution, a complete machine-readable copy of the corresponding source code, to be distributed under the terms of Sections 1 and 2 above on a medium customarily used for software interchange; or,

**c)** Accompany it with the information you received as to the offer to distribute corresponding source code. (This alternative is allowed only for noncommercial distribution and only if you received the program in object code or executable form with such an offer, in accord with Subsection b above.)

The source code for a work means the preferred form of the work for making modifications to it. For an executable work, complete source code means all the source code for all modules it contains, plus any associated interface definition files, plus the scripts used to control compilation and installation of the executable. However, as a special exception, the source code distributed need not include anything that is normally distributed (in either source or binary form) with the major components (compiler, kernel, and so on) of the operating system on which the executable runs, unless that component itself accompanies the executable.

If distribution of executable or object code is made by offering access to copy from a designated place, then offering equivalent access to copy the source code from the same place counts as distribution of the source code, even though third parties are not compelled to copy the source along with the object code.

4. You may not copy, modify, sublicense, or distribute the Program except as expressly provided under this License. Any attempt otherwise to copy, modify, sublicense or distribute the Program is void, and will automatically terminate your rights under this License. However, parties who have received copies, or rights, from you under this License will not have their licenses terminated so long as such parties remain in full compliance.

5. You are not required to accept this License, since you have not signed it. However, nothing else grants you permission to modify or distribute the Program or its derivative works. These actions are prohibited by law if you do not accept this License. Therefore, by modifying or distributing the Program (or any work based on the Program), you indicate your acceptance of this License to do so, and all its terms and conditions for copying, distributing or modifying the Program or works based on it.

6. Each time you redistribute the Program (or any work based on the Program), the recipient automatically receives a license from the original licensor to copy, distribute or

modify the Program subject to these terms and conditions. You may not impose any further restrictions on the recipients' exercise of the rights granted herein. You are not responsible for enforcing compliance by third parties to this License.

7. If, as a consequence of a court judgment or allegation of patent infringement or for any other reason (not limited to patent issues), conditions are imposed on you (whether by court order, agreement or otherwise) that contradict the conditions of this License, they do not excuse you from the conditions of this License. If you cannot distribute so as to satisfy simultaneously your obligations under this License and any other pertinent obligations, then as a consequence you may not distribute the Program at all. For example, if a patent license would not permit royalty-free redistribution of the Program by all those who receive copies directly or indirectly through you, then the only way you could satisfy both it and this License would be to refrain entirely from distribution of the Program.

If any portion of this section is held invalid or unenforceable under any particular circumstance, the balance of the section is intended to apply and the section as a whole is intended to apply in other circumstances.

It is not the purpose of this section to induce you to infringe any patents or other property right claims or to contest validity of any such claims; this section has the sole purpose of protecting the integrity of the free software distribution system, which is implemented by public license practices. Many people have made generous contributions to the wide range of software distributed through that system in reliance on consistent application of that system; it is up to the author/donor to decide if he or she is willing to distribute software through any other system and a licensee cannot impose that choice.

This section is intended to make thoroughly clear what is believed to be a consequence of the rest of this License.

8. If the distribution and/or use of the Program is restricted in certain countries either by patents or by copyrighted interfaces, the original copyright holder who places the Program under this License may add an explicit geographical distribution limitation excluding those countries, so that distribution is permitted only in or among countries not thus excluded. In such case, this License incorporates the limitation as if written in the body of this License.

9. The Free Software Foundation may publish revised and/or new versions of the General Public License from time to time. Such new versions will be similar in spirit to the present version, but may differ in detail to address new problems or concerns.

Each version is given a distinguishing version number. If the Program specifies a version number of this License which applies to it and "any later version", you have the option of following the terms and conditions either of that version or of any later version published by the Free Software Foundation. If the Program does not specify a version number of this License, you may choose any version ever published by the Free Software Foundation.

10. If you wish to incorporate parts of the Program into other free programs whose distribution conditions are different, write to the author to ask for permission. For software which is copyrighted by the Free Software Foundation, write to the Free Software Foundation; we sometimes make exceptions for this. Our decision will be guided by the two goals of preserving the free status of all derivatives of our free software and of promoting the sharing and reuse of software generally.

## NO WARRANTY

11. BECAUSE THE PROGRAM IS LICENSED FREE OF CHARGE, THERE IS NO WARRANTY FOR THE PROGRAM, TO THE EXTENT PERMITTED BY APPLICABLE LAW. EXCEPT WHEN OTHERWISE STATED IN WRITING THE COPYRIGHT HOLDERS AND/OR OTHER PARTIES PROVIDE THE PROGRAM "AS IS" WITHOUT WARRANTY OF ANY KIND, EITHER EXPRESSED OR IMPLIED, INCLUDING, BUT NOT LIMITED TO, THE IMPLIED WARRANTIES OF MERCHANTABILITY AND FITNESS FOR A PARTICULAR PURPOSE. THE ENTIRE RISK AS TO THE QUALITY AND PERFORMANCE OF THE PROGRAM IS WITH YOU. SHOULD THE PROGRAM PROVE DEFECTIVE, YOU ASSUME THE COST OF ALL NECESSARY SERVICING, REPAIR OR CORRECTION.

12. IN NO EVENT UNLESS REQUIRED BY APPLICABLE LAW OR AGREED TO IN WRITING WILL ANY COPYRIGHT HOLDER, OR ANY OTHER PARTY WHO MAY MODIFY AND/OR REDISTRIBUTE THE PROGRAM AS PERMITTED ABOVE, BE LIABLE TO YOU FOR DAMAGES, INCLUDING ANY GENERAL, SPECIAL, INCIDENTAL OR CONSEQUENTIAL DAMAGES ARISING OUT OF THE USE OR INABILITY TO USE THE PROGRAM (INCLUDING BUT NOT LIMITED TO LOSS OF DATA OR DATA BEING RENDERED INACCURATE OR LOSSES SUSTAINED BY YOU OR THIRD PARTIES OR A FAILURE OF THE PROGRAM TO OPERATE WITH ANY OTHER PROGRAMS), EVEN IF SUCH HOLDER OR OTHER PARTY HAS BEEN ADVISED OF THE POSSIBILITY OF SUCH DAMAGES.

END OF TERMS AND CONDITIONS

## How to Apply These Terms to Your New Programs

If you develop a new program, and you want it to be of the greatest possible use to the public, the best way to achieve this is to make it free software which everyone can redistribute and change under these terms.

To do so, attach the following notices to the program. It is safest to attach them to the start of each source file to most effectively convey the exclusion of warranty; and each file should have at least the "copyright" line and a pointer to where the full notice is found.

One line to give the program's name and a brief idea of what it does.

Copyright (C) <year> <name of author>

This program is free software; you can redistribute it and/or modify it under the terms of the GNU General Public License as published by the Free Software Foundation; either version 2 of the License, or (at your option) any later version.

This program is distributed in the hope that it will be useful, but WITHOUT ANY WARRANTY; without even the implied warranty of MERCHANTABILITY or FITNESS FOR A PARTICULAR PURPOSE. See the GNU General Public License for more details.

You should have received a copy of the GNU General Public License along with this program; if not, write to the Free Software Foundation, Inc., 59 Temple Place, Suite 330, Boston, MA 02111-1307 USA

Also add information on how to contact you by electronic and paper mail.

If the program is interactive, make it output a short notice like this when it starts in an interactive mode:

Gnomovision version 69, Copyright (C) year name of author Gnomovision comes with ABSOLUTELY NO WARRANTY; for details type `show w'. This is free software, and you are welcome to redistribute it under certain conditions; type `show c' for details.

The hypothetical commands `show w` and `show c` should show the appropriate parts of the General Public License. Of course, the commands you use may be called something other than `show w` and `show c`; they could even be mouse-clicks or menu items-- whatever suits your program. You should also get your employer (if you work as a programmer) or your school, if any, to sign a "copyright disclaimer" for the program, if necessary. Here is a sample; alter the names: Yoyodyne, Inc., hereby disclaims all copyright interest in the program `Gnomovision' (which makes passes at compilers) written by James Hacker. signature of Ty Coon, 1 April 1989 Ty Coon, President of Vice This General Public License does not permit incorporating your program into proprietary programs. If your program is a subroutine library, you may consider it more useful to permit linking proprietary applications with the library. If this is what you want to do, use the GNU Library General Public License instead of this License.

## B.1.2 GNU Lesser General Public license

GNU LESSER GENERAL PUBLIC LICENSE

Version 3, 29 June 2007

Copyright © 2007 Free Software Foundation, Inc. <<http://fsf.org/>>

Everyone is permitted to copy and distribute verbatim copies of this license document, but changing it is not allowed.

This version of the GNU Lesser General Public License incorporates the terms and conditions of version 3 of the GNU General Public License, supplemented by the additional permissions listed below.

### 0. Additional Definitions.

As used herein, "this License" refers to version 3 of the GNU Lesser General Public License, and the "GNU GPL" refers to version 3 of the GNU General Public License.

"The Library" refers to a covered work governed by this License, other than an Application or a Combined Work as defined below.

An "Application" is any work that makes use of an interface provided by the Library, but which is not otherwise based on the Library. Defining a subclass of a class defined by the Library is deemed a mode of using an interface provided by the Library.

A "Combined Work" is a work produced by combining or linking an Application with the Library. The particular version of the Library with which the Combined Work was made is also called the "Linked Version".

The "Minimal Corresponding Source" for a Combined Work means the Corresponding Source for the Combined Work, excluding any source code for portions of the Combined Work that, considered in isolation, are based on the Application, and not on the Linked Version.

The "Corresponding Application Code" for a Combined Work means the object code and/or source code for the Application, including any data and utility programs needed for reproducing the Combined Work from the Application, but excluding the System Libraries of the Combined Work.

### 1. Exception to Section 3 of the GNU GPL.

You may convey a covered work under sections 3 and 4 of this License without being bound by section 3 of the GNU GPL.

## 2. Conveying Modified Versions.

If you modify a copy of the Library, and, in your modifications, a facility refers to a function or data to be supplied by an Application that uses the facility (other than as an argument passed when the facility is invoked), then you may convey a copy of the modified version:

**a)** under this License, provided that you make a good faith effort to ensure that, in the event an Application does not supply the function or data, the facility still operates, and performs whatever part of its purpose remains meaningful, or

**b)** under the GNU GPL, with none of the additional permissions of this License applicable to that copy.

## 3. Object Code Incorporating Material from Library Header Files.

The object code form of an Application may incorporate material from a header file that is part of the Library. You may convey such object code under terms of your choice, provided that, if the incorporated material is not limited to numerical parameters, data structure layouts and accessors, or small macros, inline functions and templates (ten or fewer lines in length), you do both of the following:

**a)** Give prominent notice with each copy of the object code that the Library is used in it and that the Library and its use are covered by this License.

**b)** Accompany the object code with a copy of the GNU GPL and this license document.

## 4. Combined Works.

You may convey a Combined Work under terms of your choice that, taken together, effectively do not restrict modification of the portions of the Library contained in the Combined Work and reverse engineering for debugging such modifications, if you also do each of the following:

**a)** Give prominent notice with each copy of the Combined Work that the Library is used in it and that the Library and its use are covered by this License.

**b)** Accompany the Combined Work with a copy of the GNU GPL and this license document.

**c)** For a Combined Work that displays copyright notices during execution, include the copyright notice for the Library among these notices, as well as a reference directing the user to the copies of the GNU GPL and this license document.

**d)** Do one of the following:

**0)** Convey the Minimal Corresponding Source under the terms of this License, and the Corresponding Application Code in a form suitable for, and under terms that permit, the user to recombine or relink the Application with a modified version of the Linked Version to produce a modified Combined Work, in the manner specified by section 6 of the GNU GPL for conveying Corresponding Source.

**1)** Use a suitable shared library mechanism for linking with the Library. A suitable mechanism is one that (a) uses at run time a copy of the Library already present on the user's computer system, and (b) will operate properly with a modified version of the Library that is interface-compatible with the Linked Version.

e) Provide Installation Information, but only if you would otherwise be required to provide such information under section 6 of the GNU GPL, and only to the extent that such information is necessary to install and execute a modified version of the Combined Work produced by recombining or relinking the Application with a modified version of the Linked Version. (If you use option 4d0, the Installation Information must accompany the Minimal Corresponding Source and Corresponding Application Code. If you use option 4d1, you must provide the Installation Information in the manner specified by section 6 of the GNU GPL for conveying Corresponding Source.)

5. Combined Libraries. You may place library facilities that are a work based on the Library side by side in a single library together with other library facilities that are not Applications and are not covered by this License, and convey such a combined library under terms of your choice, if you do both of the following:

a) Accompany the combined library with a copy of the same work based on the Library, uncombined with any other library facilities, conveyed under the terms of this License.

b) Give prominent notice with the combined library that part of it is a work based on the Library, and explaining where to find the accompanying uncombined form of the same work.

6. Revised Versions of the GNU Lesser General Public License.

The Free Software Foundation may publish revised and/or new versions of the GNU Lesser General Public License from time to time. Such new versions will be similar in spirit to the present version, but may differ in detail to address new problems or concerns.

Each version is given a distinguishing version number. If the Library as you received it specifies that a certain numbered version of the GNU Lesser General Public License "or any later version" applies to it, you have the option of following the terms and conditions either of that published version or of any later version published by the Free Software Foundation. If the Library as you received it does not specify a version number of the GNU Lesser General Public License, you may choose any version of the GNU Lesser General Public License ever published by the Free Software Foundation.

If the Library as you received it specifies that a proxy can decide whether future versions of the GNU Lesser General Public License shall apply, that proxy's public statement of acceptance of any version is permanent authorization for you to choose that version for the Library.

## B.1.3 BSD Open Source License

For more details about the Open Source™ BSD license or the Open Source Initiative, follow the link below:

<http://www.opensource.org/licenses/bsd-license.php>

Copyright (c) <YEAR>, <OWNER>

All rights reserved.

- Redistribution and use in source and binary forms, with or without modification, are permitted provided that the following conditions are met:
- Redistributions of source code must retain the above copyright notice, this list of conditions and the following disclaimer.



- Redistributions in binary form must reproduce the above copyright notice, this list of conditions and the following disclaimer in the documentation and/or other materials provided with the distribution.
- Neither the name of Daniel™ nor the names of its contributors may be used to endorse or promote products derived from this software without specific prior written permission.

THIS SOFTWARE IS PROVIDED BY THE COPYRIGHT HOLDERS AND CONTRIBUTORS "AS IS" AND ANY EXPRESS OR IMPLIED WARRANTIES, INCLUDING, BUT NOT LIMITED TO, THE IMPLIED WARRANTIES OF MERCHANTABILITY AND FITNESS FOR A PARTICULAR PURPOSE ARE DISCLAIMED. IN NO EVENT SHALL THE COPYRIGHT OWNER OR CONTRIBUTORS BE LIABLE FOR ANY DIRECT, INDIRECT, INCIDENTAL, SPECIAL, EXEMPLARY, OR CONSEQUENTIAL DAMAGES (INCLUDING, BUT NOT LIMITED TO, PROCUREMENT OF SUBSTITUTE GOODS OR SERVICES; LOSS OF USE, DATA, OR PROFITS; OR BUSINESS INTERRUPTION) HOWEVER CAUSED AND ON ANY THEORY OF LIABILITY, WHETHER IN CONTRACT, STRICT LIABILITY, OR TORT (INCLUDING NEGLIGENCE OR OTHERWISE) ARISING IN ANY WAY OUT OF THE USE OF THIS SOFTWARE, EVEN IF ADVISED OF THE POSSIBILITY OF SUCH DAMAGE.

## B.1.4 M.I.T. license

For more details about the Open Source™ MIT license or the Open Source Initiative follow the link below:

<http://www.opensource.org/licenses/mit-license.php>

### The MIT License

Copyright (c) <year> <copyright holders>

Permission is hereby granted, free of charge, to any person obtaining a copy of this software and associated documentation files (the "Software"), to deal in the Software without restriction, including without limitation the rights to use, copy, modify, merge, publish, distribute, sublicense, and/or sell copies of the Software, and to permit persons to whom the Software is furnished to do so, subject to the following conditions:

The above copyright notice and this permission notice shall be included in all copies or substantial portions of the Software.

THE SOFTWARE IS PROVIDED "AS IS", WITHOUT WARRANTY OF ANY KIND, EXPRESS OR IMPLIED, INCLUDING BUT NOT LIMITED TO THE WARRANTIES OF MERCHANTABILITY, FITNESS FOR A PARTICULAR PURPOSE AND NONINFRINGEMENT. IN NO EVENT SHALL THE AUTHORS OR COPYRIGHT HOLDERS BE LIABLE FOR ANY CLAIM, DAMAGES OR OTHER LIABILITY, WHETHER IN AN ACTION OF CONTRACT, TORT OR OTHERWISE, ARISING FROM, OUT OF OR IN CONNECTION WITH THE SOFTWARE OR THE USE OR OTHER DEALINGS IN THE SOFTWARE.

**Emerson Automation Solutions**  
Daniel Measurement and Control, Inc.  
North America / Latin America:  
Headquarters  
USA - Houston, Texas  
T +1.713.467.6000  
USA Toll Free 1.888.FLOW.001  
[www.daniel.com](http://www.daniel.com)

Europe: Stirling, Scotland, UK  
T +44.1786.433400  
Middle East, Africa: Dubai, UAE  
T +971.4.811.8100  
Asia Pacific: Singapore  
T +65.6777.8211

©2019 Daniel Measurement and Control, Inc. All rights reserved. Unauthorized duplication in whole or part is prohibited. Printed in the USA.

Daniel Measurement and Control, Inc. ("Daniel") is an Emerson Automation Solutions business unit. The Daniel name and logo are trademarks of Daniel Industries, Inc. The Emerson logo is a trademark and service mark of Emerson Electric Co. All other trademarks are the property of their respective companies.

**DANIEL™**

